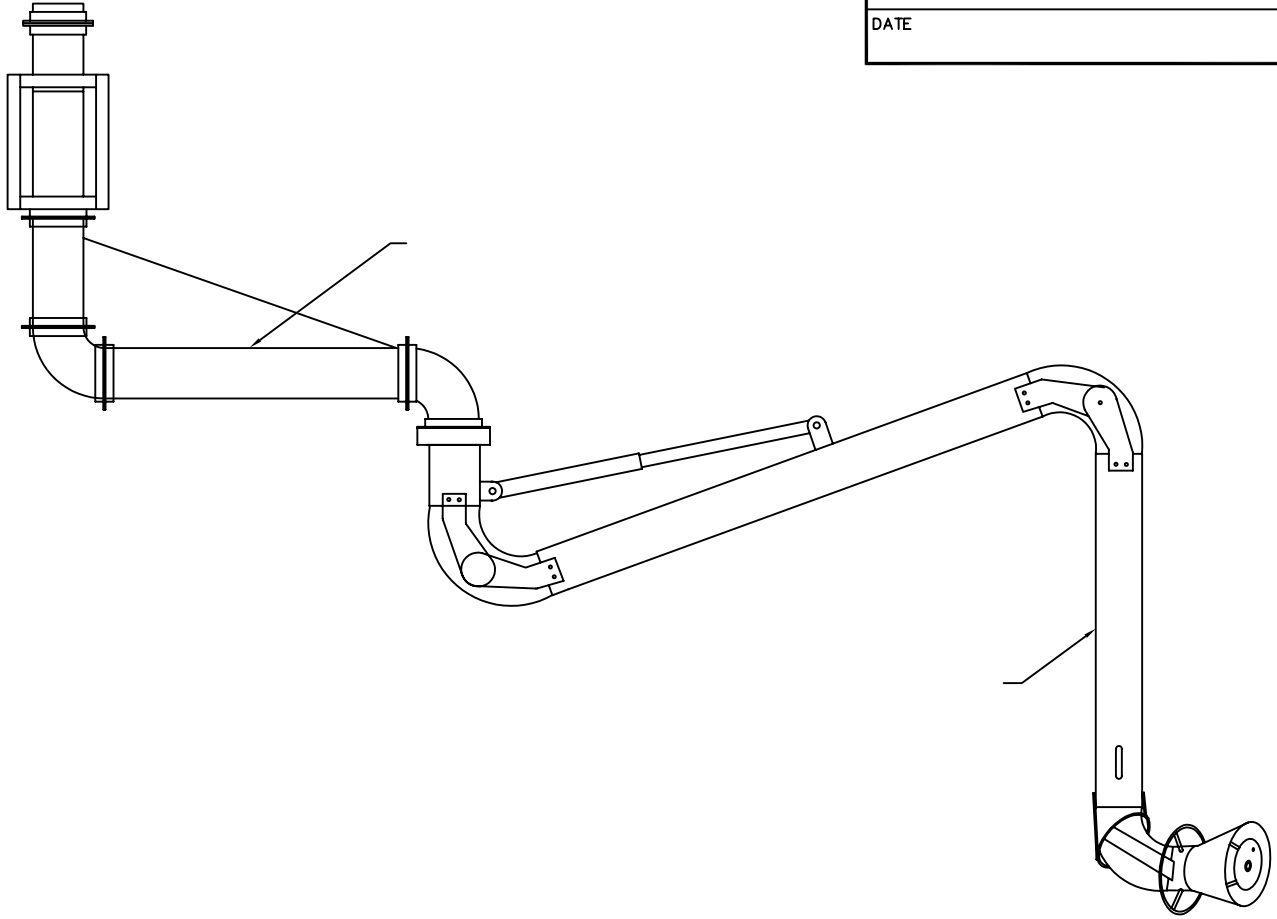


PROJECT
LOCATION
ARCHITECT
ENGINEER
CONTRACTOR
SALES ENGINEER
DATE



NOTES

SEE SEPERATE SUBMITTALS FOR FUME ARM MODEL SIFA AND ROTATING BOOM MODEL RB FOR ADDITIONAL INFO.