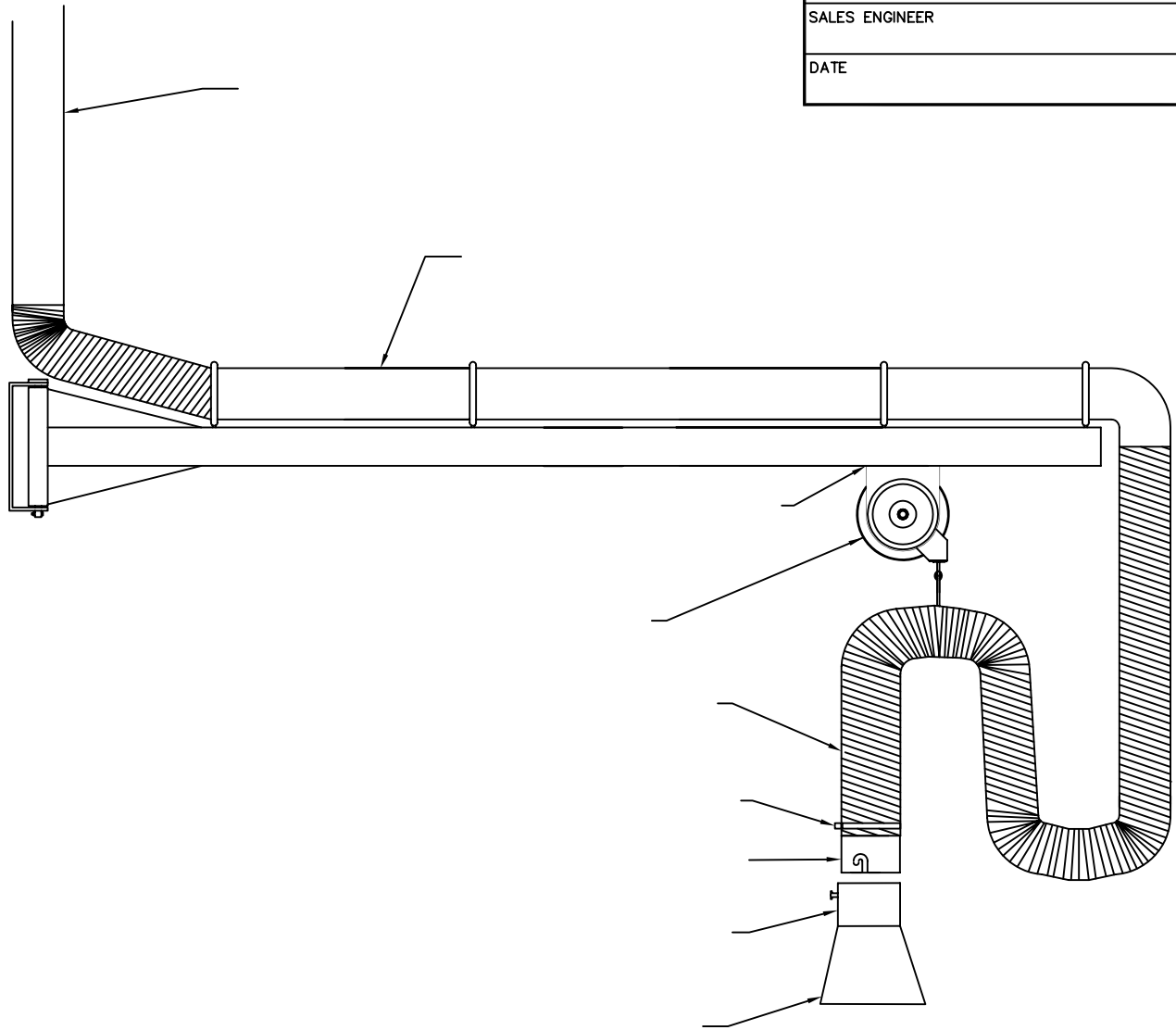


PROJECT
LOCATION
ARCHITECT
ENGINEER
CONTRACTOR
SALES ENGINEER
DATE



NOTES

THIS IS A SYSTEM LAYOUT. SEE INDIVIDUAL COMPONENT DRAWINGS FOR MORE DETAILS.