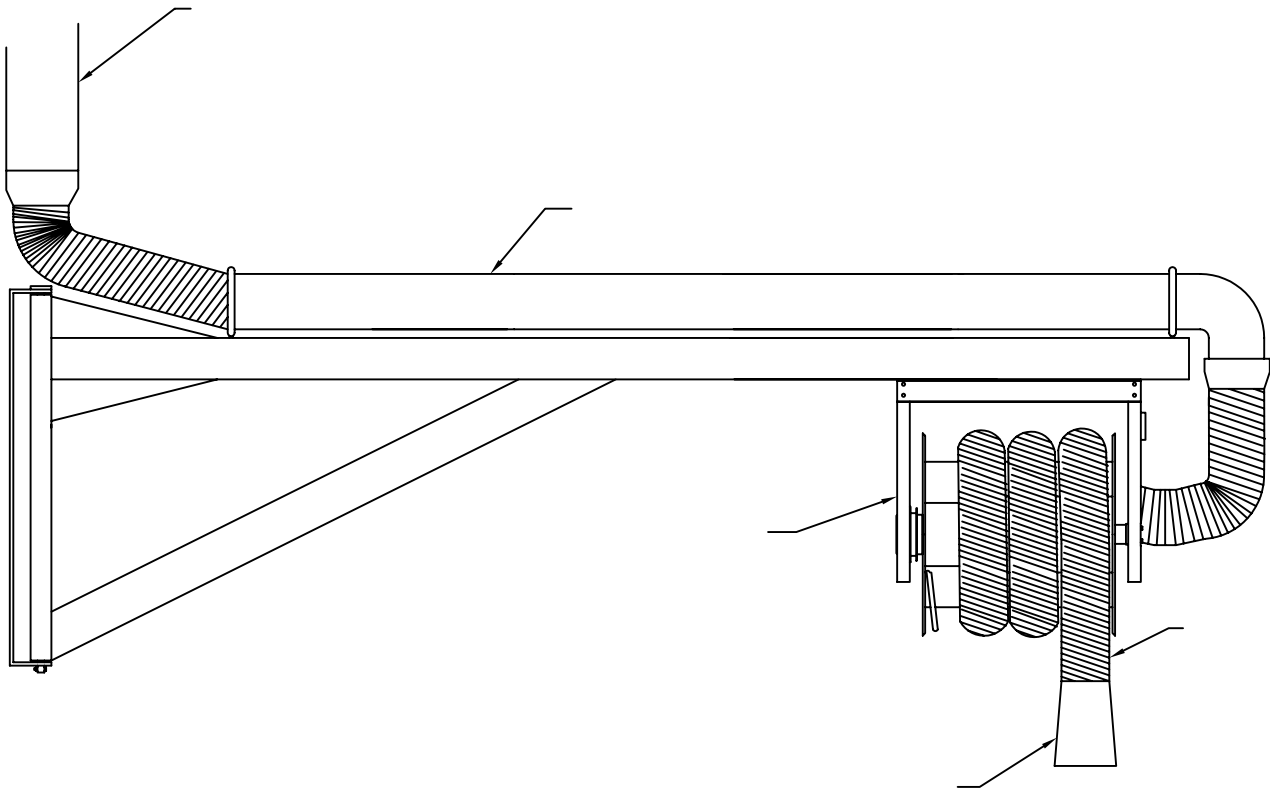


PROJECT
LOCATION
ARCHITECT
ENGINEER
CONTRACTOR
SALES ENGINEER
DATE



NOTES

This is a system layout. See individual component drawing for more details.