



# SUBMITTAL

# MOTORIZED HOSE REEL SYSTEM LAYOUT

PROJECT:

LOCATION:

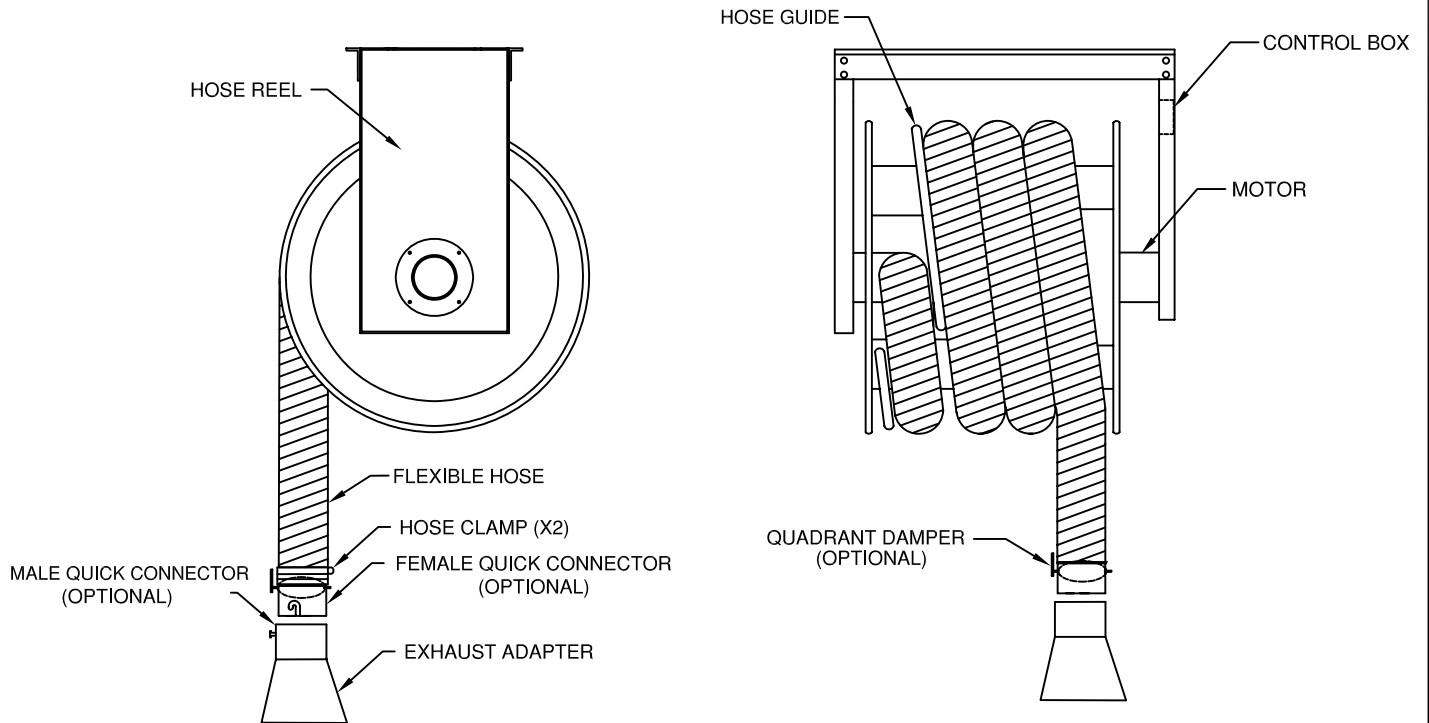
ENGINEER:

SALES ENGINEER:

ARCHITECT:

CONTRACTOR:

DATE:



## NOTES

SEE INDIVIDUAL SUBMITTAL DRAWINGS FOR ADDITIONAL INFORMATION.