

PROJECT:

LOCATION:

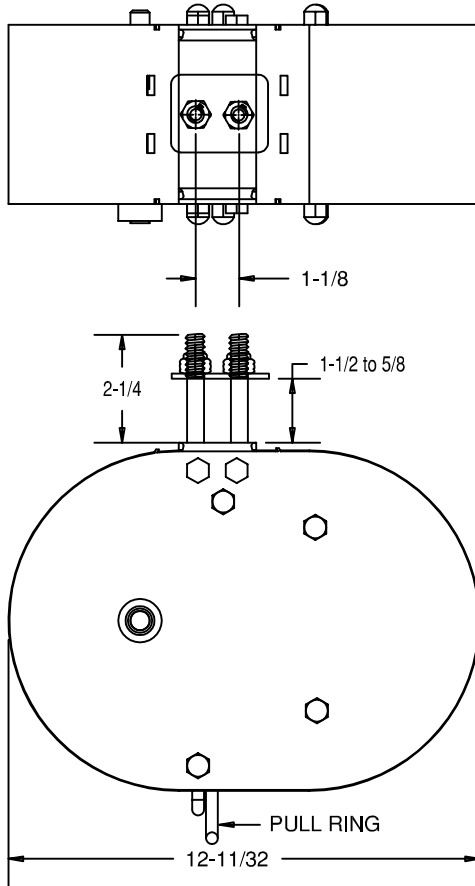
ENGINEER:

SALES ENGINEER:

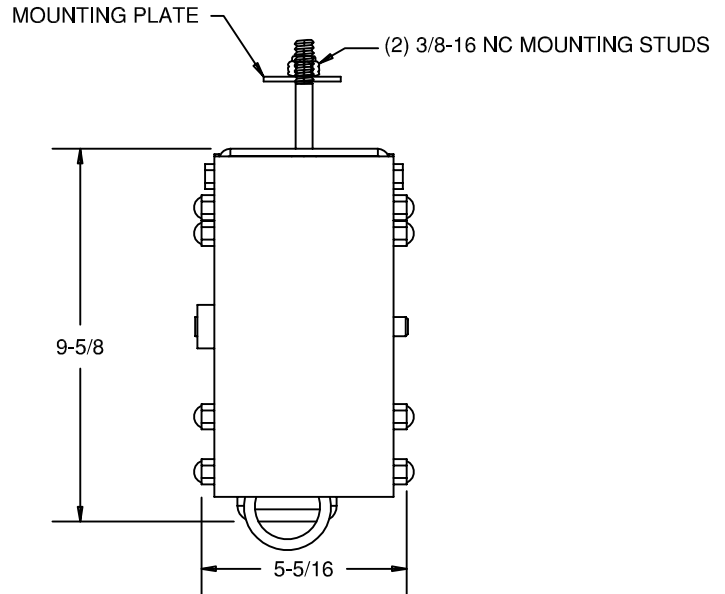
ARCHITECT:

CONTRACTOR:

DATE:



MODEL	MAX PULL
ACR15V	15 LBS.
ACR25V	25 LBS.
ACR35V	35 LBS.



SCHEDULE

ITEM	QTY	MODEL	REFERENCE

NOTES

1. CABLE REELS ARE FURNISHED WITH VINYL COATED CABLE AND CABLE STOP PROVIDING AN EFFECTIVE TRAVEL LENGTH OF 15'.
2. CABLE REEL SHROUD IS COATED WITH VENTAIRE BLUE FINISH.
3. REELS ARE FURNISHED WITH AN AUTOMATIC DAMPENING SYSTEM. THIS ALLOWS THE CABLE TO RETRACT SLOWLY WHEN LOCKING MECHANISM IS RELEASED.