

PROJECT _____

LOCATION _____

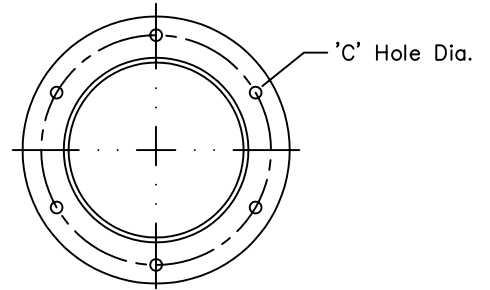
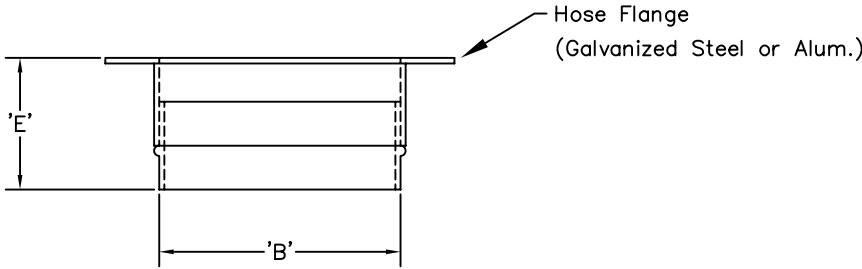
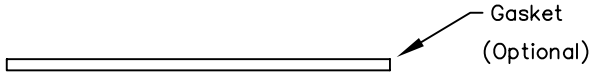
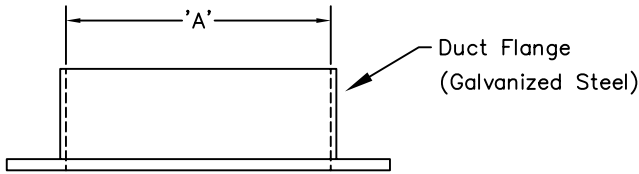
ARCHITECT _____

ENGINEER _____

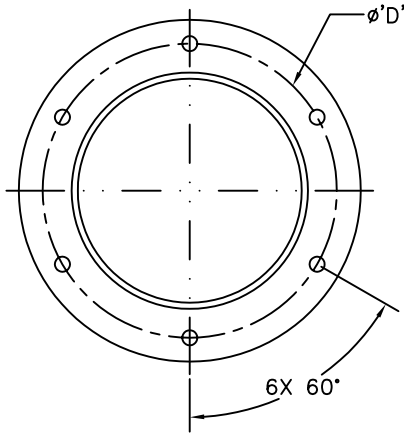
CONTRACTOR _____

SALES ENGINEER _____

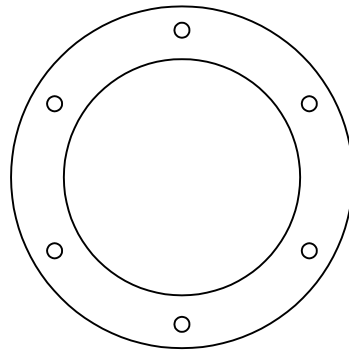
DATE _____



Hose Flange



Duct Flange



Gasket

MODEL	'A'	'B'	'C'	'D'	'E'
FC30	3-1/16"	5-1/2"	9/32"	9/32"	5-5/8"
FC40	4-1/16"	6-1/2"	9/32"	9/32"	5-11/16"
FC50	5-1/16"	7-1/2"	9/32"	9/32"	5-3/4"
FC60	6-3/32"	8-1/2"	3/8"	3/8"	5-3/4"
FC70	7-1/8"	9-1/2"	3/8"	3/8"	5-3/4"
FC80	8-1/8"	10-1/2"	3/8"	3/8"	5-3/4"
FC90	9-1/8"	11-1/2"	3/8"	3/8"	5-7/8"
FC100	10-1/8"	12-1/2"	3/8"	3/8"	6"

SCHEDULE

ITEM	QTY	MODEL	REFERENCE

NOTES

Gasket constructed of aramid fibers bonded with styrene butadiene rubber (SBR).
The six necessary nuts and bolts for the flange connection are provided in the hardware kit.