

PROJECT:

LOCATION:

ENGINEER:

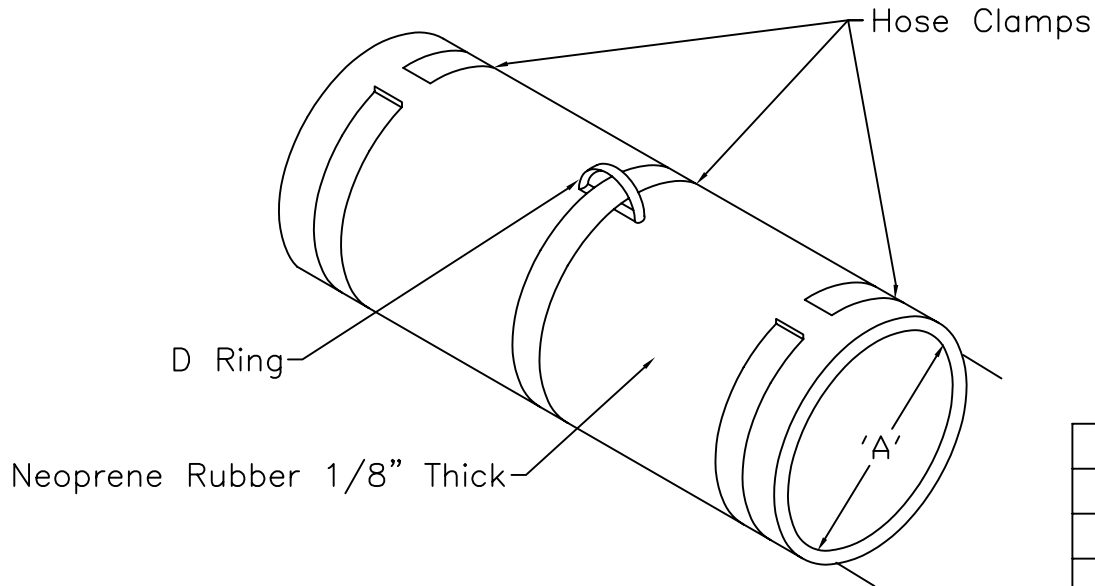
SALES ENGINEER:

ARCHITECT:

CONTRACTOR:

DATE:

DIMENSIONS IN INCHES



MODEL	'A'
LSN30	3"
LSN40	4"
LSN50	5"
LSN60	6"
LSN80	8"
LSN100	10"

**SCHEDULE**

ITEM	QTY	MODEL	TUBING DIA.	REFERENCE

**NOTES**

Recommended For Use With All Overhead Non-Disappearing Systems Except No Crush Systems.  
 Rubber - Special High Temp. Black Rubber, EPDM Polymer  
 O-Ring - Zinc  
 Hose Clamps - Stainless Steel