

PROJECT:

LOCATION:

ENGINEER:

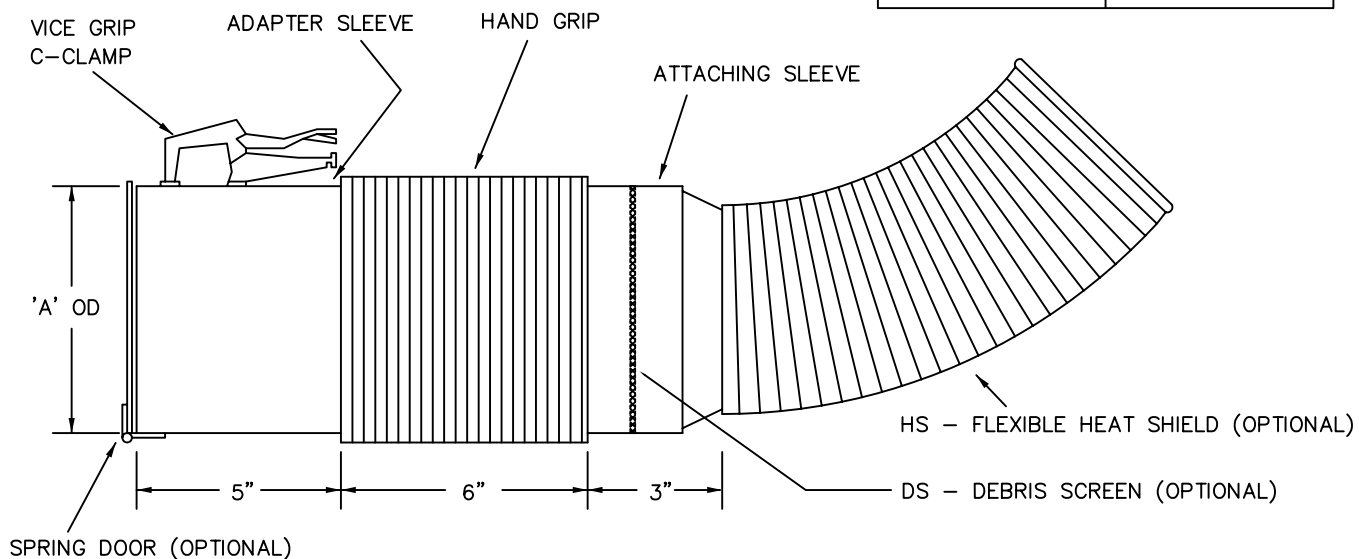
SALES ENGINEER:

ARCHITECT:

CONTRACTOR:

DATE:

MODEL	'A'
LTS40	3"
LTS40	4"
LTS50	5"
LTS60	6"
LTS80	8"



SCHEDULE

ITEM	QTY	MODEL	REFERENCE

NOTES

SLEEVE - 20 GAUGE STAINLESS STEEL
 HAND GRIP - 1/4" THICK HIGH TEMP. EPDM RUBBER
 HEAT SHIELD - STAINLESS STEEL