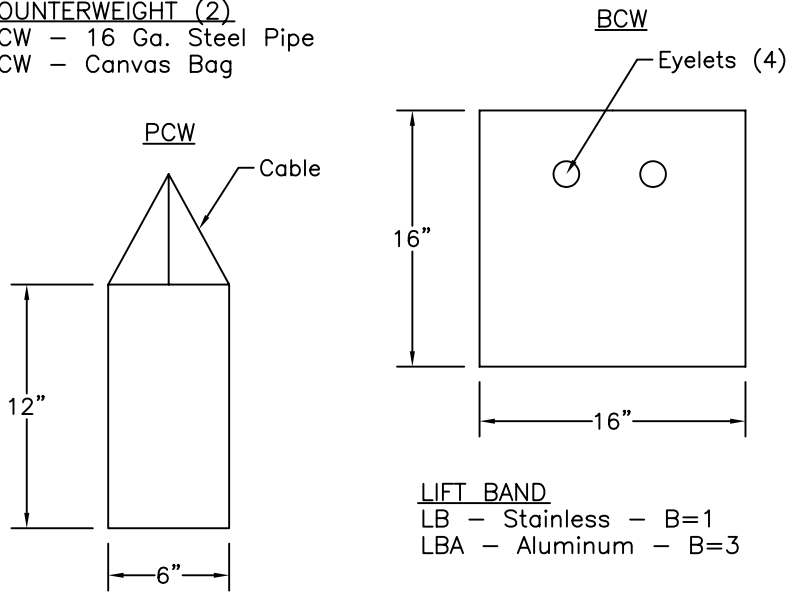


COUNTERWEIGHT (2)

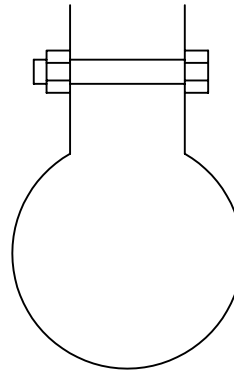
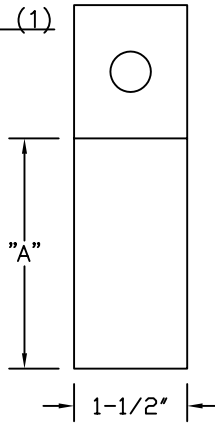
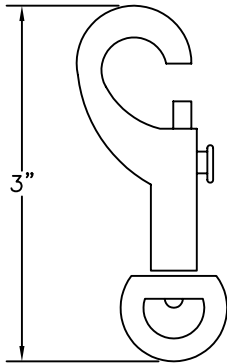
PCW - 16 Ga. Steel Pipe
BCW - Canvas Bag



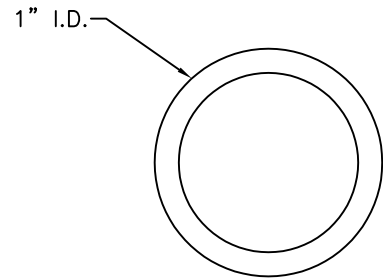
LIFT BAND

LB - Stainless - B=1
LBA - Aluminum - B=3

SNHK - SNAPHOOK (1)



PULL RING (1) Zinc Coated
PURI - .171 Steel Wire



PROJECT
LOCATION
ARCHITECT
ENGINEER
CONTRACTOR
SALES ENGINEER
DATE

SCHEDULE

ITEM	QTY	MODEL	A	REFERENCE

NOTES

- (1) ZINC COATED
- (2) ENAMEL COATED