

PROJECT:

LOCATION:

ENGINEER:

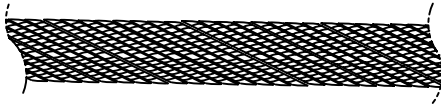
SALES ENGINEER:

ARCHITECT:

CONTRACTOR:

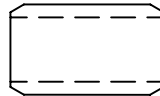
DATE:

CABLE

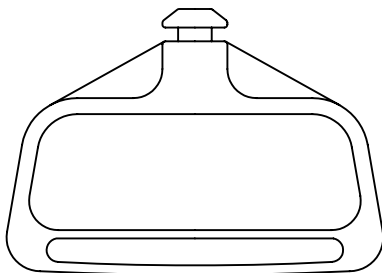


1/8" DIA. 7 x 19 STRAND
GALVANIZED AIRCRAFT CABLE
WITH VINYL COATING TO 3/16" DIA.

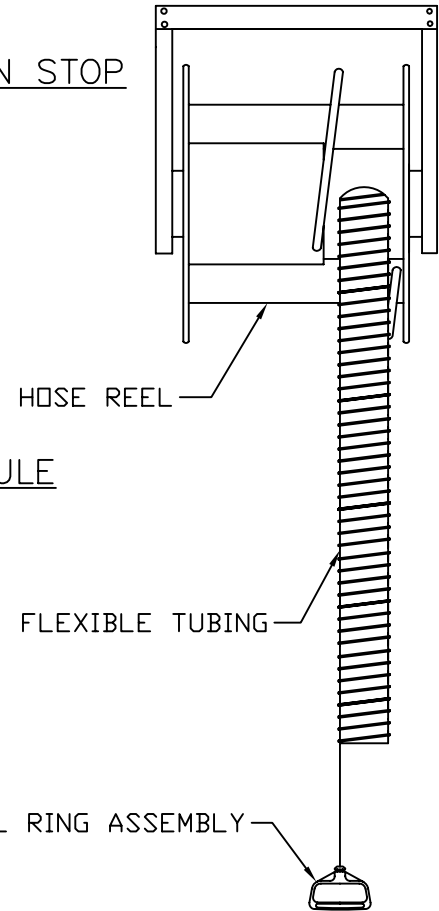
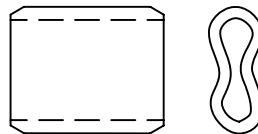
ALUMINUM BUTTON STOP



PULL HANDLE



ALUMINUM DUPLEX FERRULE



SCHEDULE

ITEM	QTY	MODEL	REFERENCE

NOTES

- PULL RING KIT CONTAINS:
 (1) PLASTIC PULL HANDLE, (1) ALUMINUM BUTTON STOP,
 (1) ALUMINUM DUPLEX FERRULE AND 10' OF CABLE