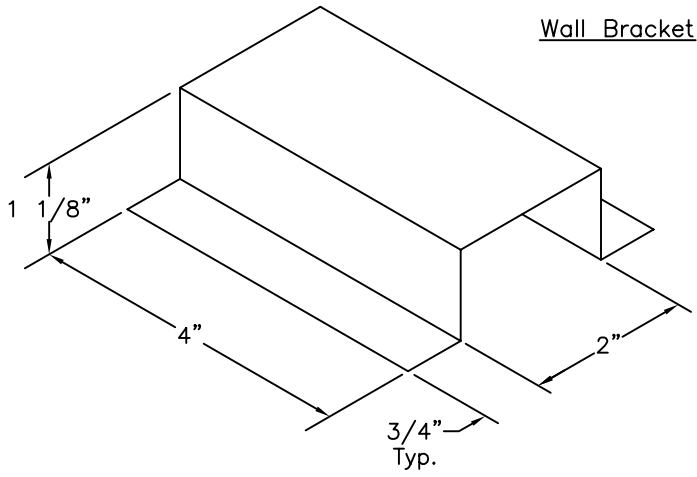
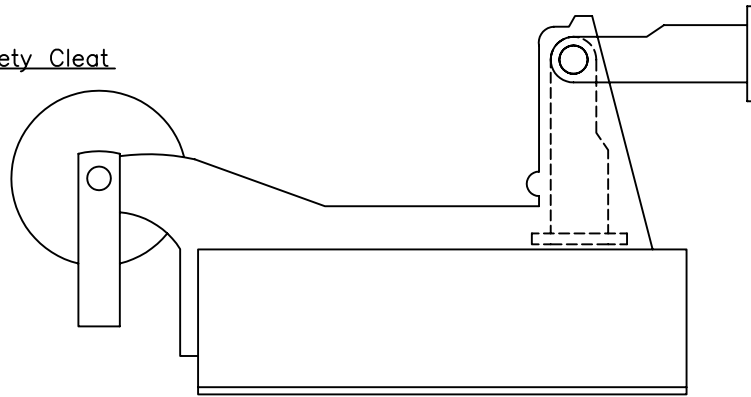


PROJECT
LOCATION
ARCHITECT
ENGINEER
CONTRACTOR
SALES ENGINEER
DATE



SC - Safety Cleat



SCHEDULE

ITEM	QTY	MODEL	REFERENCE

NOTES

Cleat and Bracket are assembled.
 *Optional Item For Use With Overhead Kits.
 Wall Bracket Construction: 20 Gauge Galvanized Steel
 Safety Clean Construction: Electroplated Steel