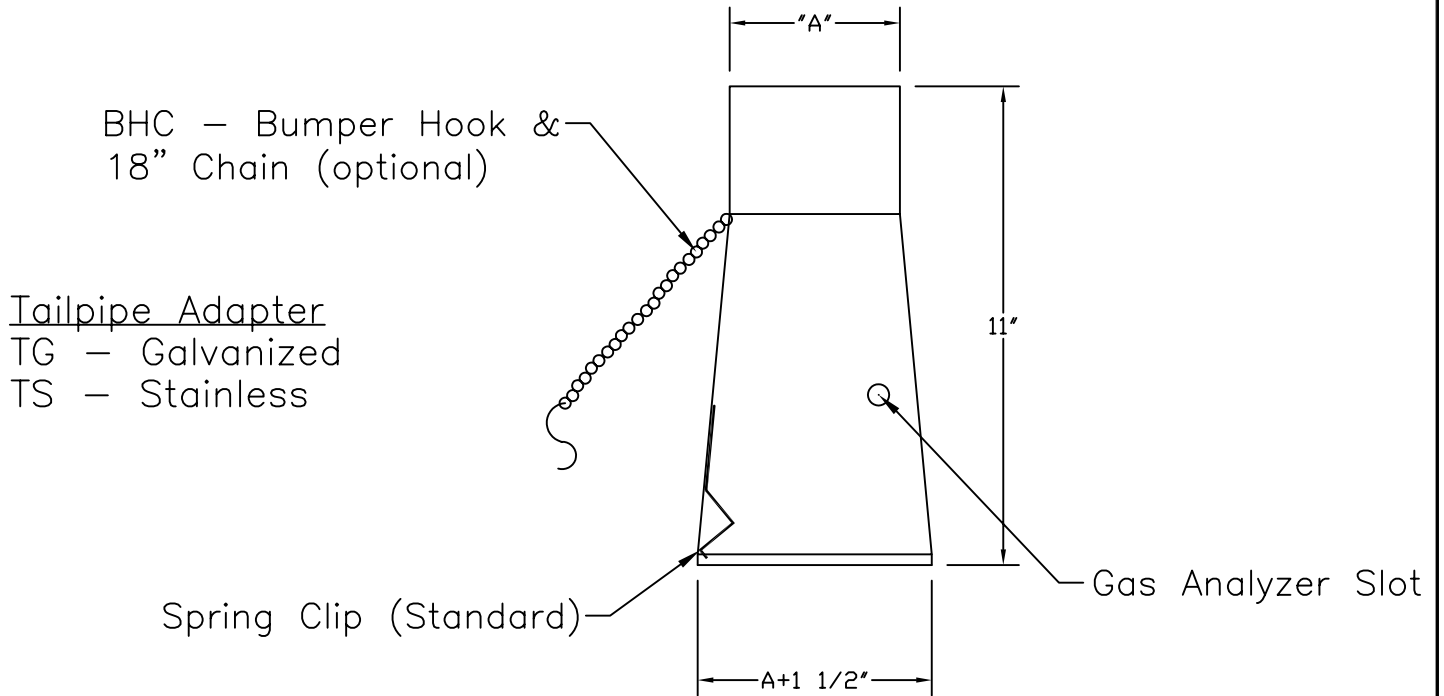


PROJECT
LOCATION
ARCHITECT
ENGINEER
CONTRACTOR
SALES ENGINEER
DATE



SCHEDULE

ITEM	QTY	MODEL	'A' DIA	REFERENCE

NOTES

A – Nominal Tubing I.D.
20 Ga. Galvanized Steel Construction
Optional Stainless Steel Construction