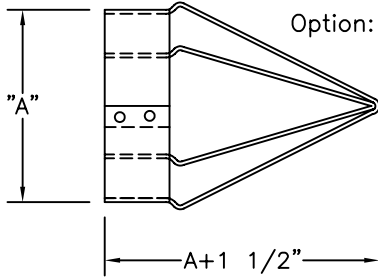


PROJECT
LOCATION
ARCHITECT
ENGINEER
CONTRACTOR
SALES ENGINEER
DATE

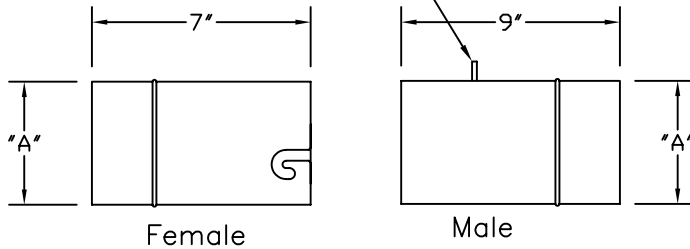
Hose Guide

HGG - Galvanized
HGS - Stainless

Option: CAD Plating



Pin



Female

Male

Quick Disconnect Set

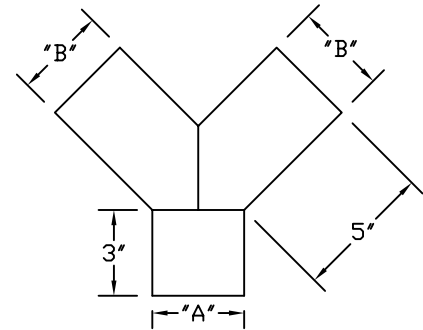
QG - Galvanized
QS - Stainless

Quick Disconnect Individual

FG - Female Galvanized
MG - Male Galvanized
FS - Female Stainless
MS - Male Stainless

Wye Fitting

YG - Galvanized
YS - Stainless



SCHEDULE

ITEM	QTY	MODEL	A	B	REFERENCE

NOTES

A & B - Nominal Tubing I.D.
20 Ga. Galvanized Steel Construction
Optional Stainless Steel Construction
Quick Disconnects can be purchased seperately or in pairs.