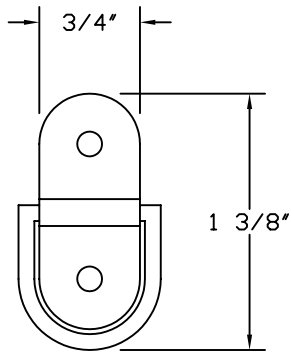
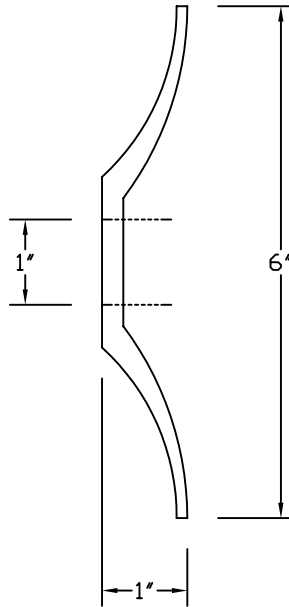


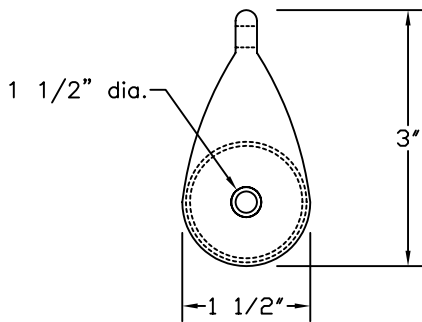
LR - Lifting Ring



WC - Wall Cleat



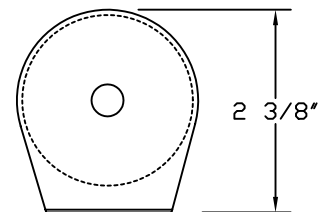
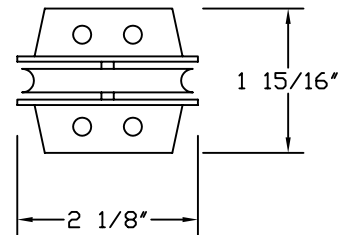
CP - Ceiling Pulley



S - S-Hook



WP - Wall Pulley



PROJECT
LOCATION
ARCHITECT
ENGINEER
CONTRACTOR
SALES ENGINEER
DATE

SCHEDULE

ITEM	QTY	MODEL	REFERENCE

NOTES

CONSTRUCTION:

Pulleys and Wall Cleat - Zinc Coated Steel
Lifting Ring, S-Hook, and Wall Pulley - Zinc Coated Steel

***For Overhead Systems, Items Are Sold As A Kit (See Submittal 2-16.)