



www.ventaire.com

# SUBMITTAL

CM-PW Universal  
Ceiling Mount

PROJECT:

LOCATION:

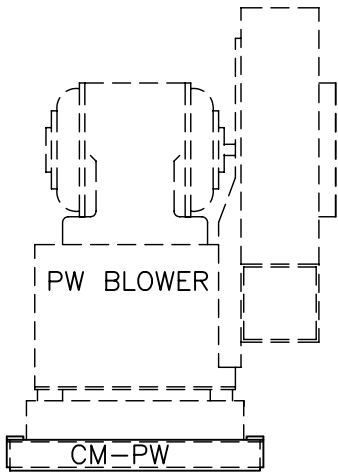
ENGINEER:

SALES ENGINEER:

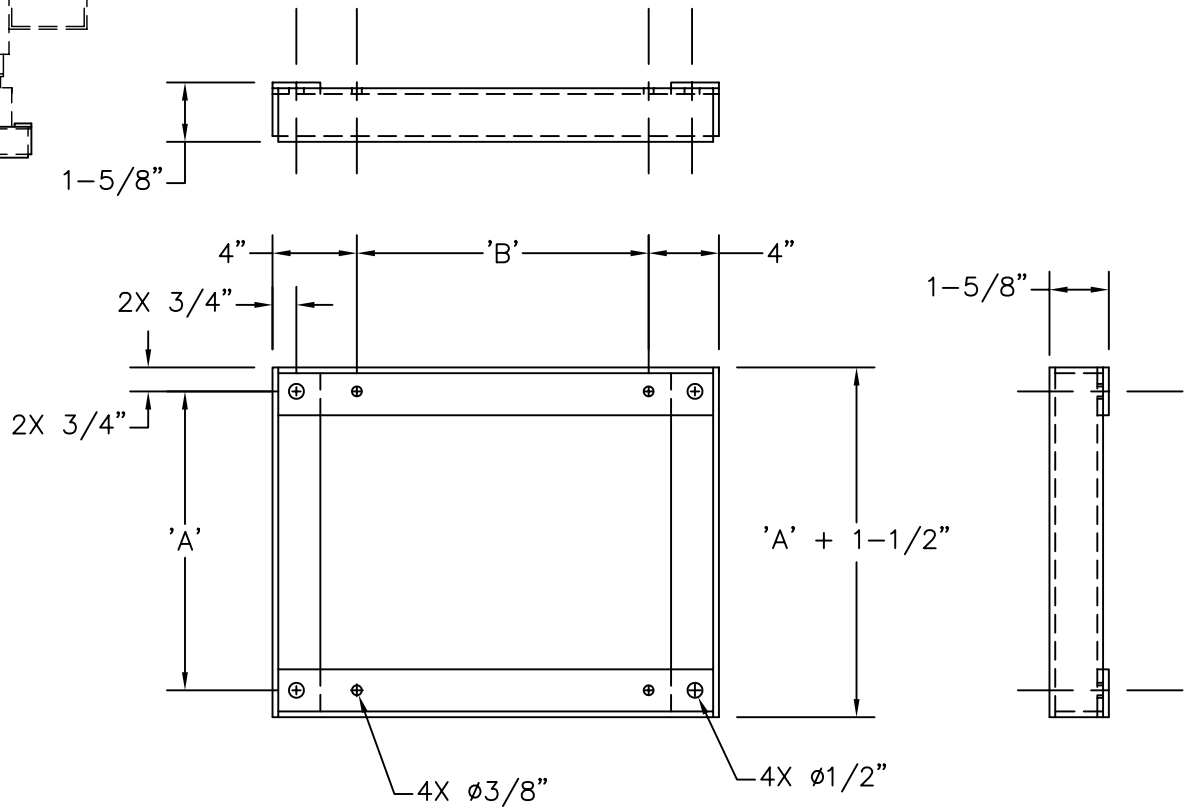
ARCHITECT:

CONTRACTOR:

DATE:



MODEL	'A'	'B'
CM-PW8	7"	10"
CM-PW9	7"	11-1/4"
CM-PW11	7-1/2"	13-3/4"
CM-PW12	6-1/2"	16"
CM-PW14	9-9/16"	16"



## SCHEDULE

ITEM	QTY	MODEL	REFERENCE

### NOTES

Frame - 1-1/2" x 1-1/2" x 1/8" Painted Steel Angle