

PROJECT:

LOCATION:

ENGINEER:

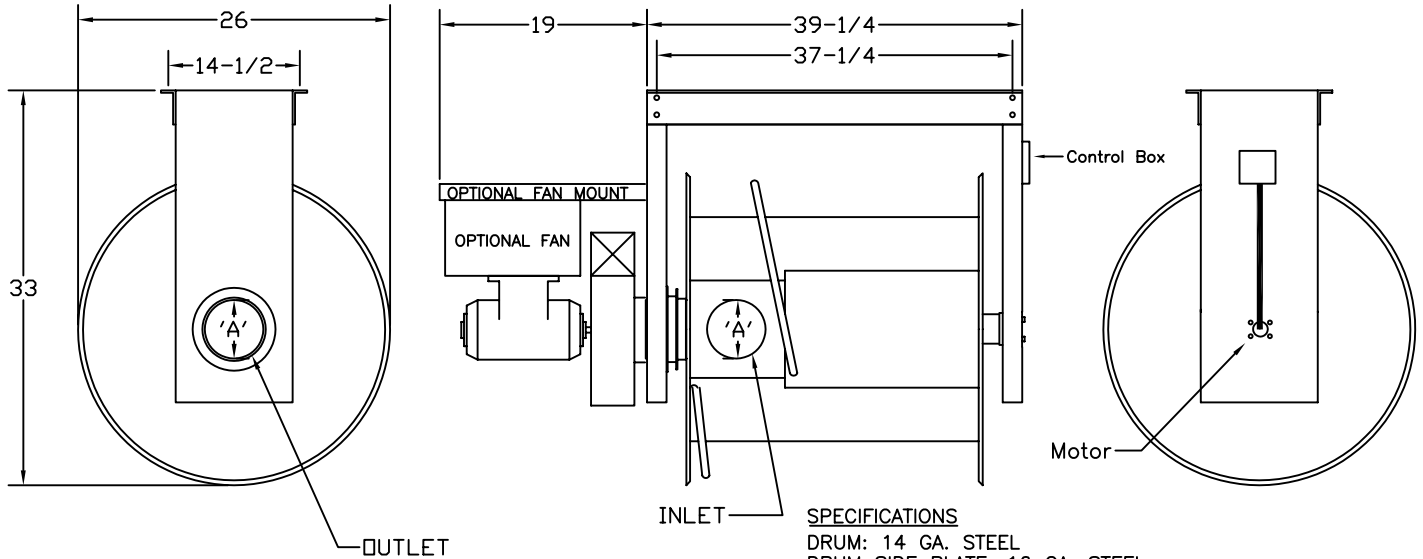
SALES ENGINEER:

ARCHITECT:

CONTRACTOR:

DATE:

ALL DIMENSIONS ARE IN INCHES



MODEL	TUBING DIAMETER: 'A'	FLEX CAPACITY STD * (FT)
TMHR30	3"	25
TMHR40	4"	25
TMHR50	5"	25
TMHR60	6"	25

Four 1/2" Mounting Holes in 14.5" x 37.25" Rectangular Pattern.

SPECIFICATIONS

- DRUM: 14 GA. STEEL
- DRUM SIDE PLATE: 16 GA. STEEL
- FRAME: 12 GA. STEEL
- BEARING: SLEEVE BEARING
- MOTOR - 110/1/60, 3.8A - 430W
 - Totally Enclosed Construction
 - Built in Brake & Limit Switches
 - Speed: 14 RPM
 - Thermal Overload Protection
- WALL MOUNTED MOMENTARY CONTACT PUSH BUTTON SWITCH RAISE & LOWER
- OPTIONS:
 - 4-BUTTON PENDANT, and INFRARED REMOTE
 - MICROSWITCH FOR FAN/DAMPER CONTROL (MODEL MKS)
 - FAN (MODEL PW SHOWN) W/ MOUNT (MODEL FRM)

SCHEDULE

ITEM	QTY	MODEL	Tubing Diameter 'A'	Tubing Length	REFERENCE

NOTES

Tailpipe adapter, flexible tubing, and fan specified on separate drawings.
* Consult factory for larger capacities or nonstandard diameters.