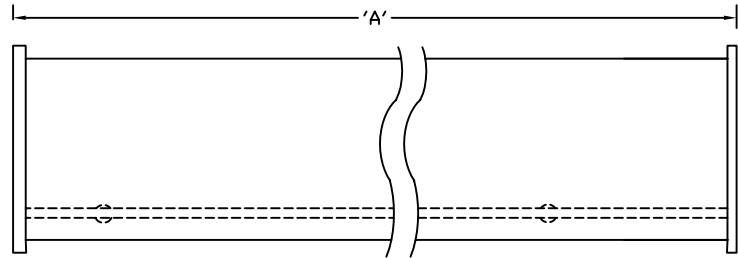
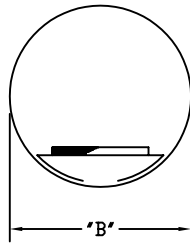
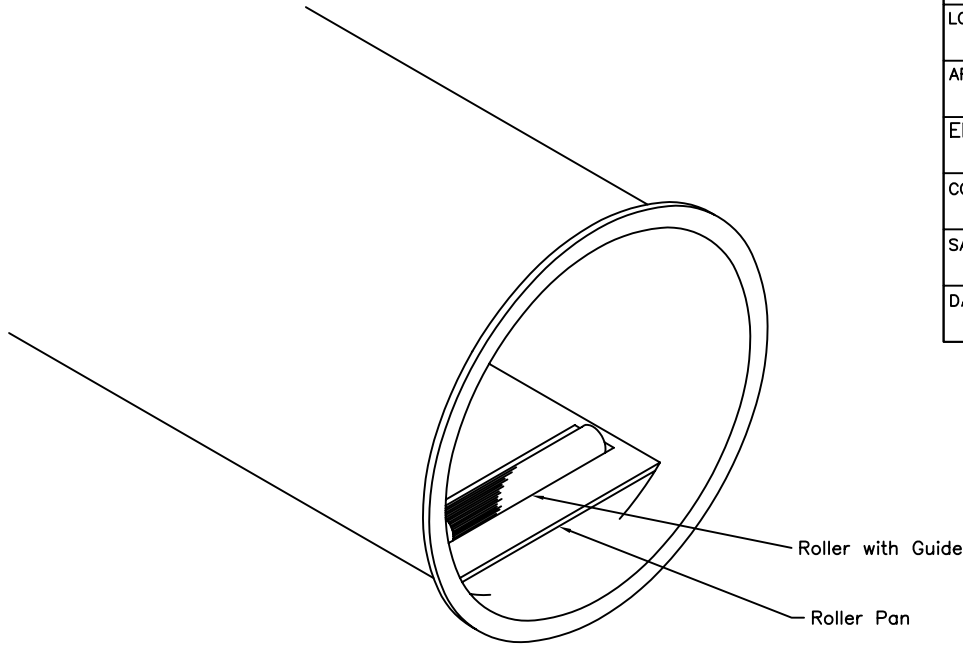


PROJECT
LOCATION
ARCHITECT
ENGINEER
CONTRACTOR
SALES ENGINEER
DATE



SCHEDULE

ITEM	QTY	MODEL	REFERENCE

NOTES

One foot of Roller Duct is required for each foot of flex.  
 Diameter "B" equals flex diameter plus 3 inches.  
 Maximum shipping length of Roller Duct is 5 feet.  
 Duct by VENTAIRE, or others.