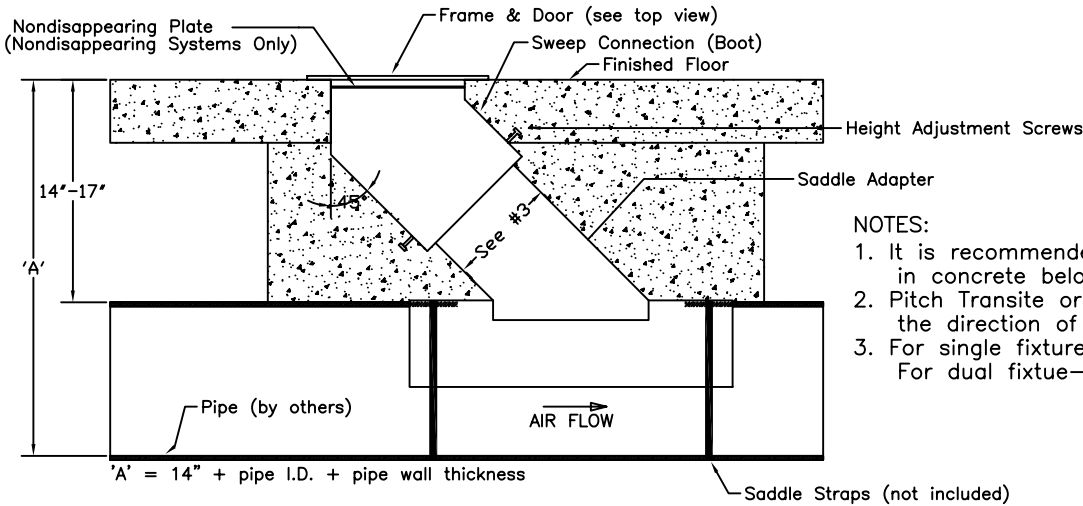


PROJECT:

LOCATION:	ENGINEER:	SALES ENGINEER:
ARCHITECT:	CONTRACTOR:	DATE:

ALL DIMENSIONS IN INCHES

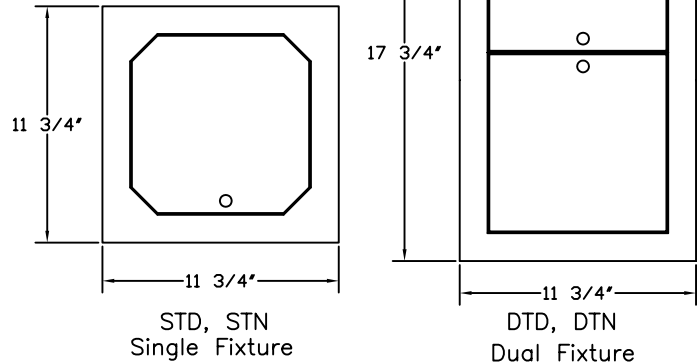


- NOTES:
1. It is recommended to encase the assembly in concrete below grade.
 2. Pitch Transite or PVC coated pipe 1" in 40' ft the direction of air flow for draining.
 3. For single fixture—8 1/2" Dia.
For dual fixture—6 1/2" x 10"

Please specify underfloor pipe diameter when ordering.

MODEL	FLEX DIA.	MIN PIPE I.D. (1)	MIN PIPE I.D.(2)
STD/STN	3	8	8
STD/STN	4	8	10
STD/STN	5***	8	10
DTD/DTN	3	10	10
DTD/DTN	4****	12	14

- (1) Light Duty tubing
 (2) Heavy Duty Tubing
 SXX / DXX - Single or Dual Floor Fixture
 XTXX - Transite and PVC Coated Pipe
 XXD / XXN - Disappearing and Non disappearing



TOP VIEW

SCHEDULE

ITEM	QTY	MODEL	PIPE DIA (D)	FLEXIBLE TUBING DIAMETER	FLEXIBLE TUBING LENGTH	REFERENCE

NOTES

- Floor Plate & Door - 1/4" steel; Boot & Saddle Connection - 20 ga. galvanized steel.
 Options: 12 ga., 16 ga., or stainless steel boot & saddle.
 Non-disappearing floor fixture has plate mounted under door w/ hole for underfloor elbow on end of fitting.
 Continuous Stainless Steel Hinge
 ***Note: 5" Dia. No Crush Flex Tubing is excluded.
 ****Note: 4" Dia. No Crush Flex Tubing in dual floor fixtures requires use of 14" ID pipe.
 *****When using No Crush Flex Tubing in a dual disappearing systems, the use of a throat seal is highly recommended.