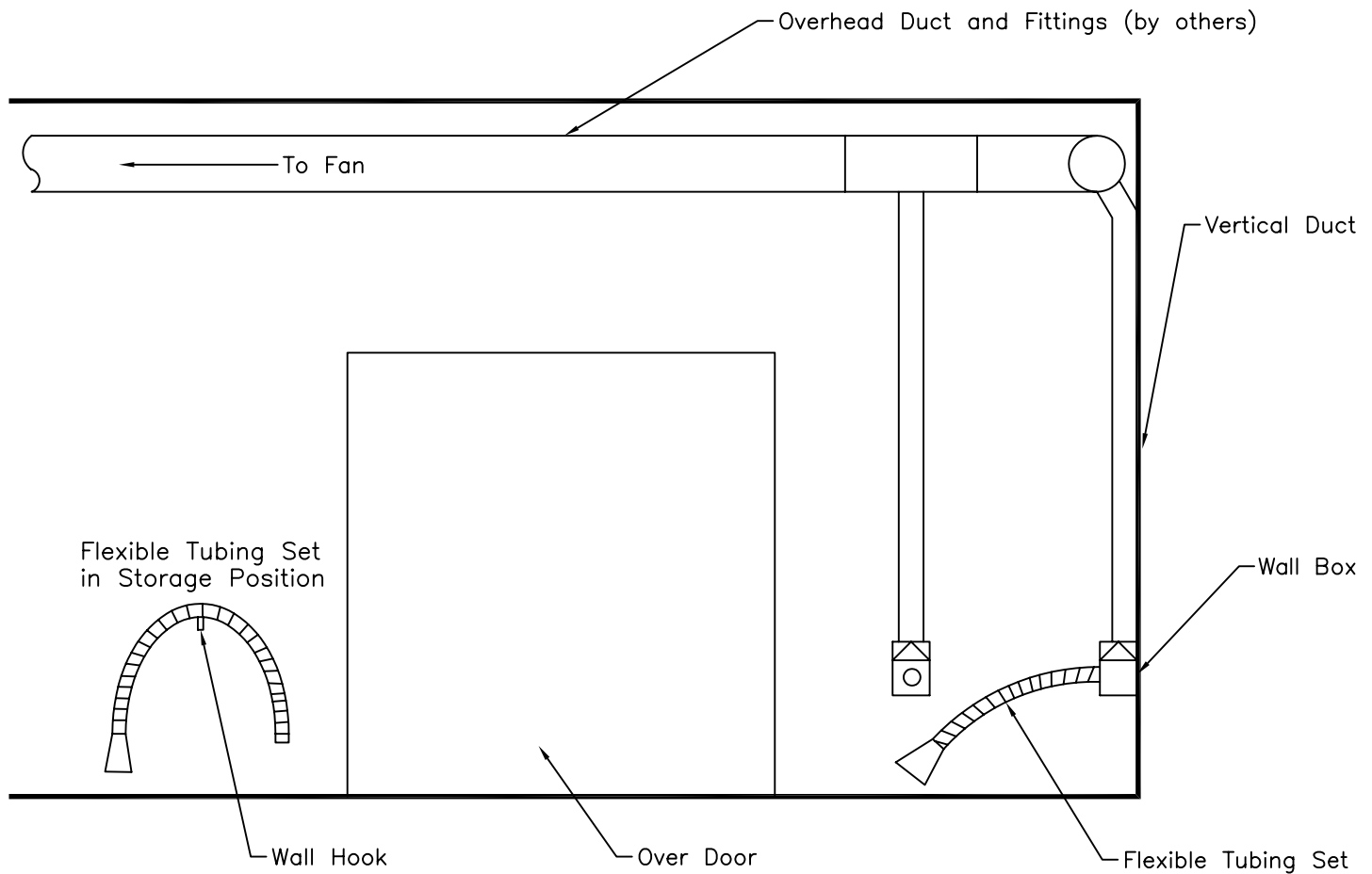


PROJECT
LOCATION
ARCHITECT
ENGINEER
CONTRACTOR
SALES ENGINEER
DATE



NOTES:  
Flexible tubing set consists of flexible tubing, tailpipe adapter, (2) hose clamps, and male quick connect