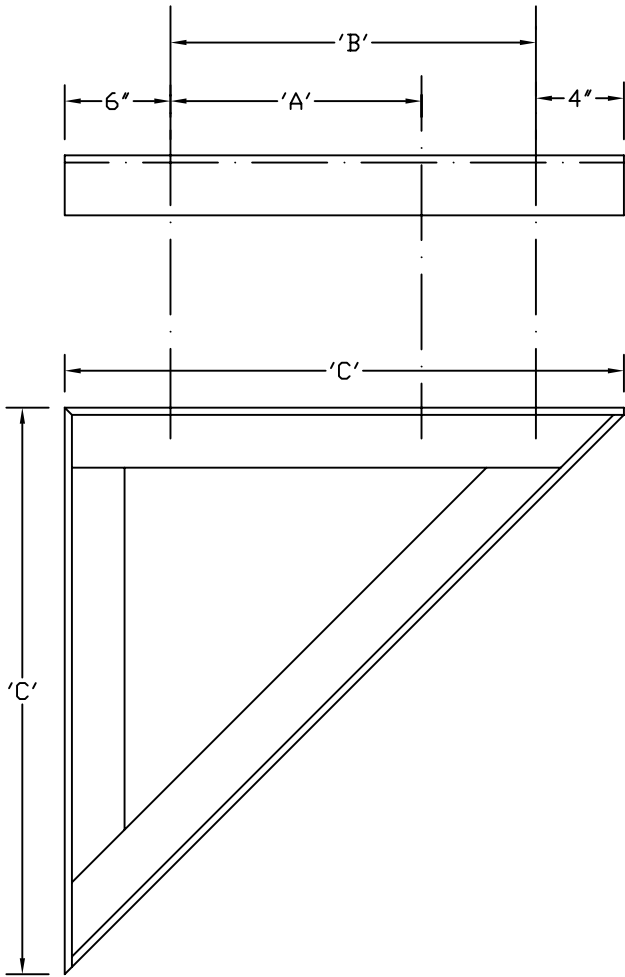


PROJECT
LOCATION
ARCHITECT
ENGINEER
CONTRACTOR
SALES ENGINEER
DATE



MODEL	'A'	'B'	'C'
WM-PW8	7"	10"	20"
WM-PW9	7"	11-1/4"	21-1/4"
WM-PW11	7-1/2"	13-3/4"	23-3/4"
WM-PW12	6-1/2"	16"	26"
WM-PW14	9-9/16"	16"	26"

EACH FAN REQUIRES 2 BRACKETS

SCHEDULE

ITEM	QTY	MODEL	REFERENCE

NOTES

Frame - 1-1/2" x 1-1/2" x 1/8" Painted Steel Angle