

PROJECT:

LOCATION:

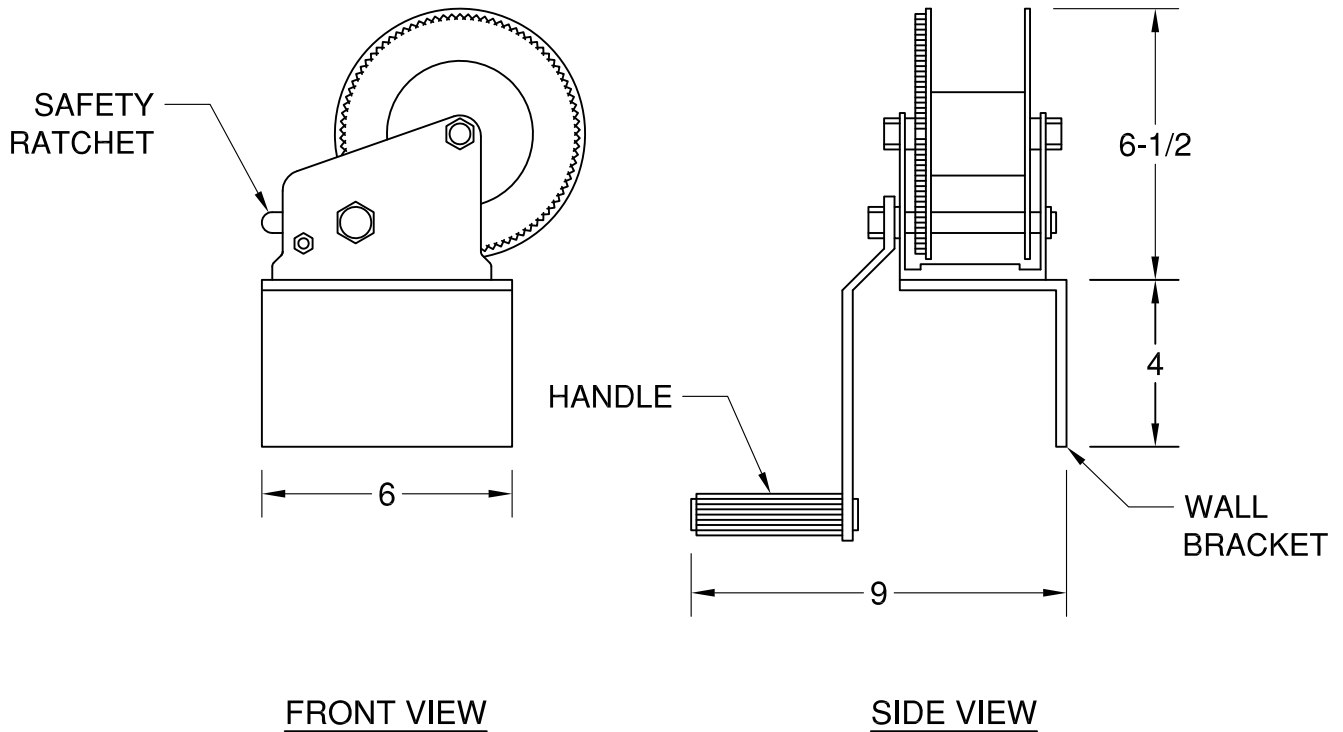
ENGINEER:

SALES ENGINEER:

ARCHITECT:

CONTRACTOR:

DATE:



SCHEDULE

ITEM	QTY	REFERENCE

SPECIFICATIONS:

- SINGLE CABLE WINCH WITH TWO WAY RATCHET & WALL MOUNTING BRACKET
- WINCH CAPACITY - 600 LBS.
- SAFETY RATCHET IS SPRING ACTIVATED.
- WINCH BRACKET: 1/4" POWDER COATED STEEL.

DRAWING NOT TO SCALE.