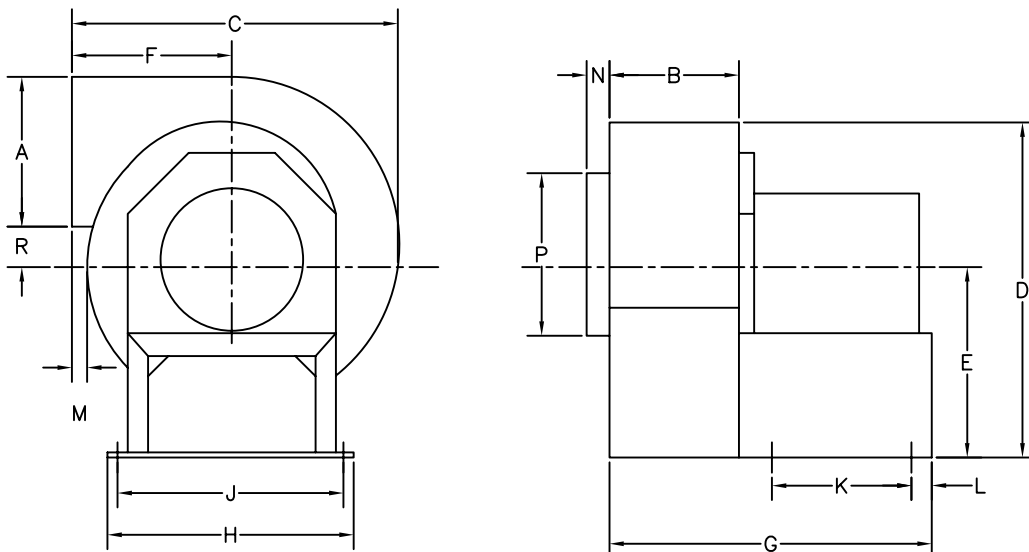


PROJECT:

LOCATION:	ENGINEER:	SALES ENGINEER:
ARCHITECT:	CONTRACTOR:	DATE:



MODEL	MOTOR H.P.	BLOWER RPM	PERFORMANCE - C.F.M												
			1/4" S.P.	3/8" S.P.	1/2" S.P.	3/4" S.P.	1" S.P.	1-1/2" S.P.	2 S.P.	2-1/2" S.P.	3" S.P.	3-1/2" S.P.	4" S.P.	4-1/2" S.P.	5" S.P.
8BIDD	1/2	3450	840	835	830	806	780	712	645	560	453	200	-	-	-
9BIDD	1/2	3450	900	880	866	840	810	750	687	625	550	475	345	-	-
9BIDD	3/4	3450	1198	1175	1155	1120	1080	1000	915	830	735	630	460	-	-
10BIDD	1	3450	1577	1560	1535	1502	1469	1390	1313	1210	1100	980	860	580	470
10BIDD	1-1/2	3450	1900	1880	1850	1810	1770	1675	1575	1460	1330	1190	1040	710	575

MODEL	WHEEL	BORE	A	B	C	D	E	F	G	H	J	K	L	M	N	P	R
8BIDD	8- ³ / ₈	⁵ / ₈	7- ³ / ₈	6- ¹¹ / ₃₂	14- ⁷ / ₁₆	16- ¹ / ₂	9- ³ / ₈	6- ³ / ₄	15- ⁷ / ₈	12- ¹ / ₈	11	7	1- ¹ / ₈	1- ³ / ₁₆	1- ³ / ₄	7- ⁷ / ₈	1- ¹ / ₄
9BIDD	9- ³ / ₁₆	⁵ / ₈	7- ³ / ₈	6- ¹¹ / ₃₂	14- ⁷ / ₁₆	16- ¹ / ₂	9- ³ / ₈	6- ³ / ₄	15- ⁷ / ₈	12- ¹ / ₈	11	7	1- ¹ / ₈	1- ³ / ₁₆	1- ³ / ₄	7- ⁷ / ₈	1- ¹ / ₄
10BIDD	10- ⁵ / ₈	⁵ / ₈	8- ³ / ₁₆	8- ³ / ₁₆	16- ⁵ / ₈	18- ¹ / ₈	10- ⁵ / ₈	7- ¹⁵ / ₁₆	18	14	13	7	1- ¹ / ₈	1- ¹ / ₄	1- ³ / ₄	9- ⁷ / ₈	1- ⁹ / ₁₆

SCHEDULE

ITEM	QTY	MODEL	HP	CFM	SP [W.G.]	ELECTRICAL	ROTATION/DISCHARGE	REFERENCE

FEATURES:

- WHEEL BACKWARD INCLINED
- BLADES AND FRONT PLATE - .060" ALUMINUM
- BACK PLATE - .125" ALUMINUM
- DYNAMICALLY BALANCE FOR EFFICIENT OPERATION WITH MINIMAL NOISE.
- HOUSING - 18 GAUGE STEEL WITH BAKED ENAMEL FINISH.
- CCW - THD DEFAULT