



SUBMITTAL

SPLICE CONNECTOR FOR N1 HOSE

PROJECT:

LOCATION:

ENGINEER:

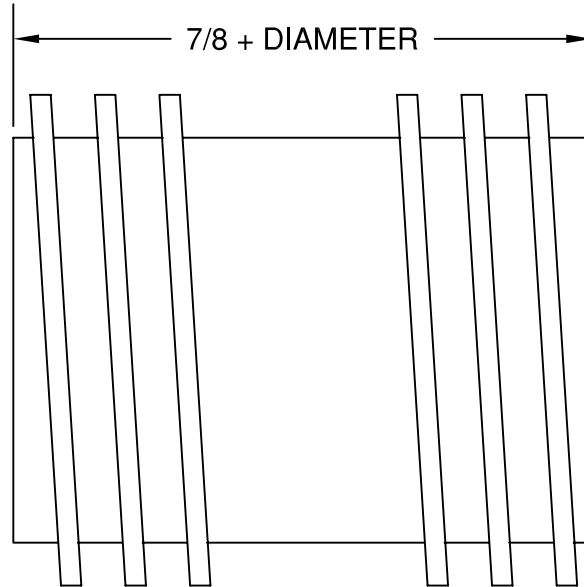
SALES ENGINEER:

ARCHITECT:

CONTRACTOR:

DATE:

NO CRUSH SPLICE CONNECTOR



MODEL	DIAMETER
AC30	3"
AC40	4"
AC50	5"
AC60	6"

SCHEDULE

ITEM	QTY	MODEL	REFERENCE

NOTES:
 ALL DIMENSIONS IN INCHES.
 CAST ALUMINUM CONSTRUCTION.