

PROJECT:

LOCATION:

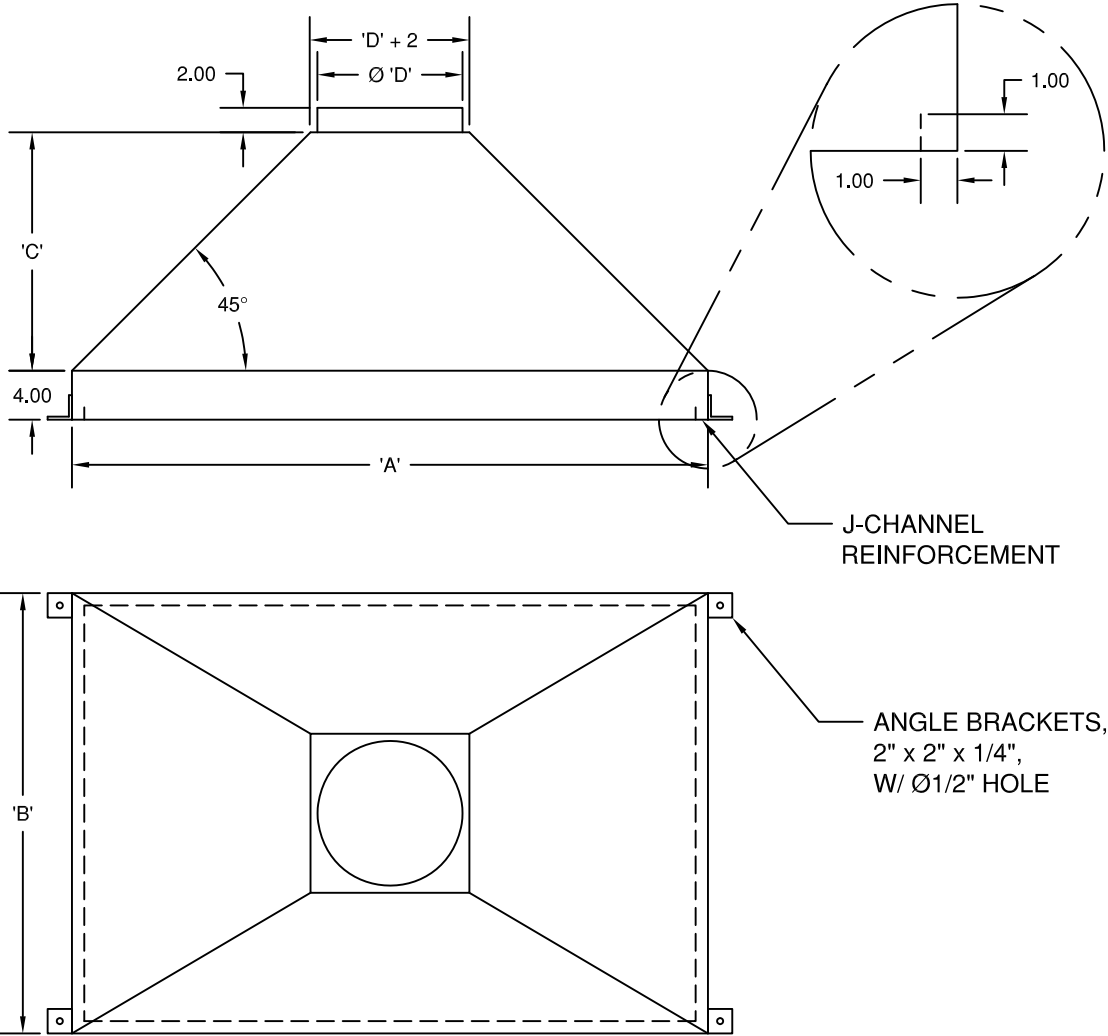
ENGINEER:

SALES ENGINEER:

ARCHITECT:

CONTRACTOR:

DATE:



SCHEDULE

ITEM	QTY	MODEL	'A'	'B'	'C'	'D'	REFERENCE

NOTES:
 18 GA GALVANIZED STEEL STANDARD.
 ALL WELDS TO BE SPRAYED WITH ZINC FINISH.
 DRAWING NOT TO SCALE.
 ALL DIMENSIONS ARE IN INCHES.
 MOUNTING HARDWARE BY OTHERS.