

PROJECT:

LOCATION:

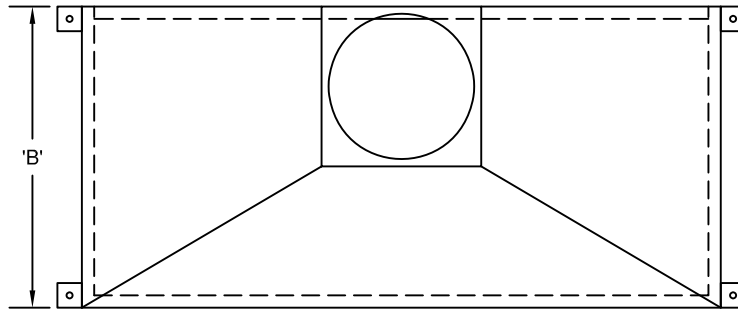
ENGINEER:

SALES ENGINEER:

ARCHITECT:

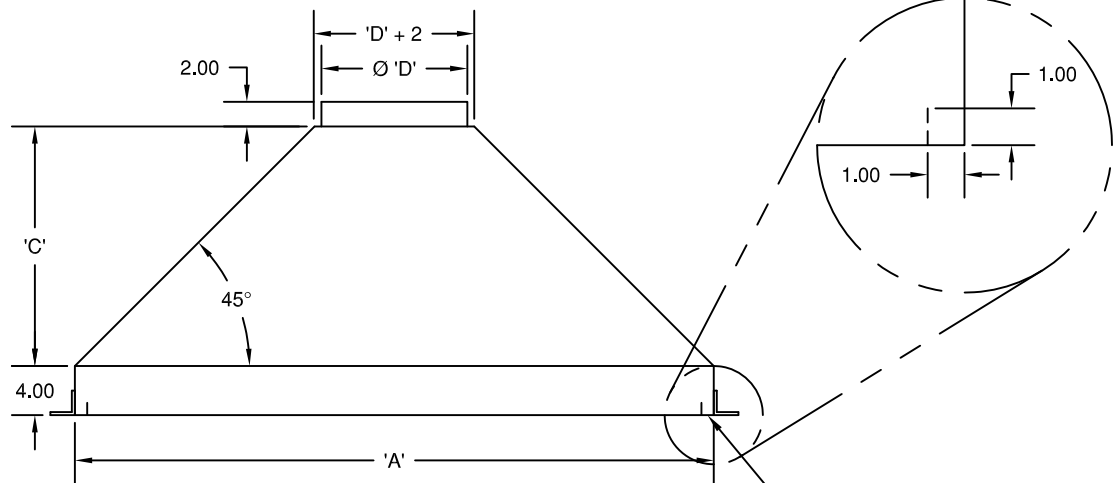
CONTRACTOR:

DATE:



TOP VIEW

ANGLE BRACKETS,
2" x 2" x 1/4",
W/ Ø1/2" HOLE



FRONT VIEW

J-CHANNEL
REINFORCEMENT

SCHEDULE

ITEM	QTY	MODEL	'A'	'B'	'C'	'D'	REFERENCE

NOTES:

18 GA GALVANIZED STEEL STANDARD.
ALL WELDS TO BE SPRAYED WITH ZINC FINISH.
DRAWING NOT TO SCALE.
ALL DIMENSIONS ARE IN INCHES.
MOUNTING HARDWARE BY OTHERS.