

PROJECT:

LOCATION:

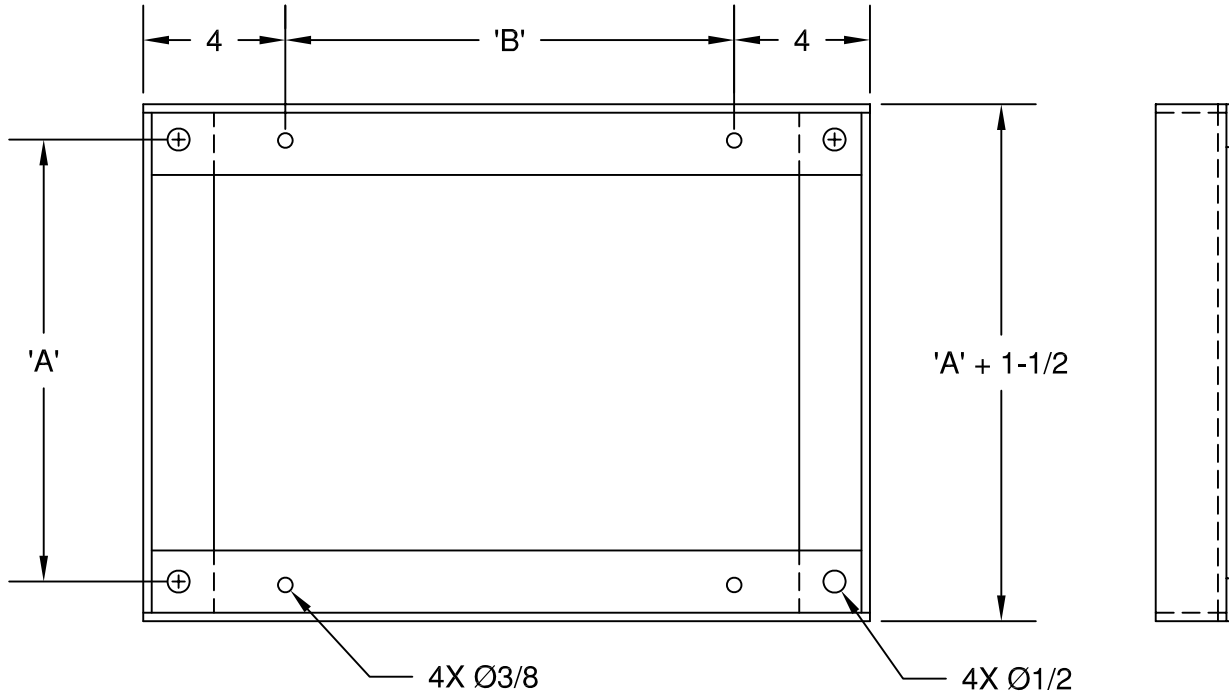
ENGINEER:

SALES ENGINEER:

ARCHITECT:

CONTRACTOR:

DATE:



MODEL	'A'	'B'
CM-BIDD8	7	11
CM-BIDD9	7	11
CM-BIDD10	7	13

SCHEDULE

ITEM	QTY	MODEL	REFERENCE

NOTES:
ALL DIMENSIONS ARE IN INCHES.
FRAME - 1-1/2 x 1-1/2 x 1/8 PAINTED STEEL ANGLE.