



SUBMITTAL

**CM-TPD10-56/TPD9-56
UNIVERSAL
CEILING MOUNT**

PROJECT:

LOCATION:

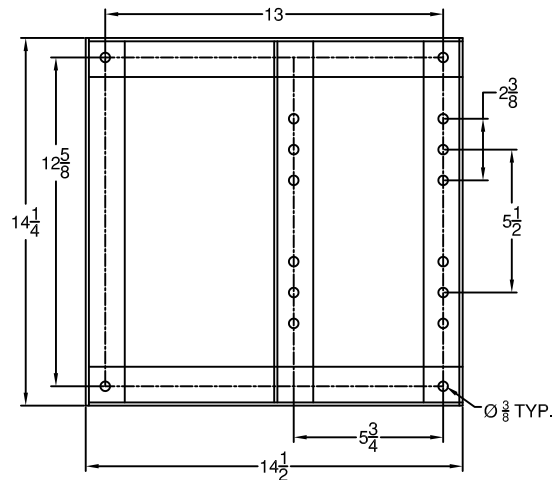
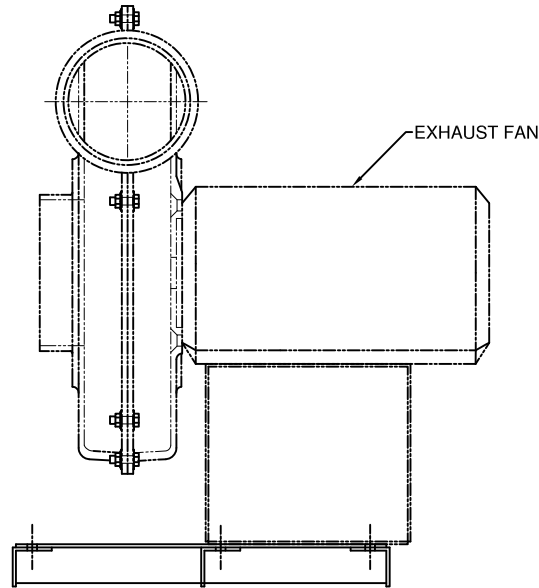
ENGINEER:

SALES ENGINEER:

ARCHITECT:

CONTRACTOR:

DATE:



SCHEDULE

ITEM	QTY	MODEL	REFERENCE
		CM-TPD10/9-56	56C FRAME MOTORS

NOTES:
 ALL DIMENSIONS ARE IN INCHES.
 FRAME - 1-1/2 x 1-12 x 1/8 PAINTED STEEL ANGLE.
 DIMENSIONS SUBJECT TO CHANGE WITHOUT NOTICE.