

PROJECT:

LOCATION:

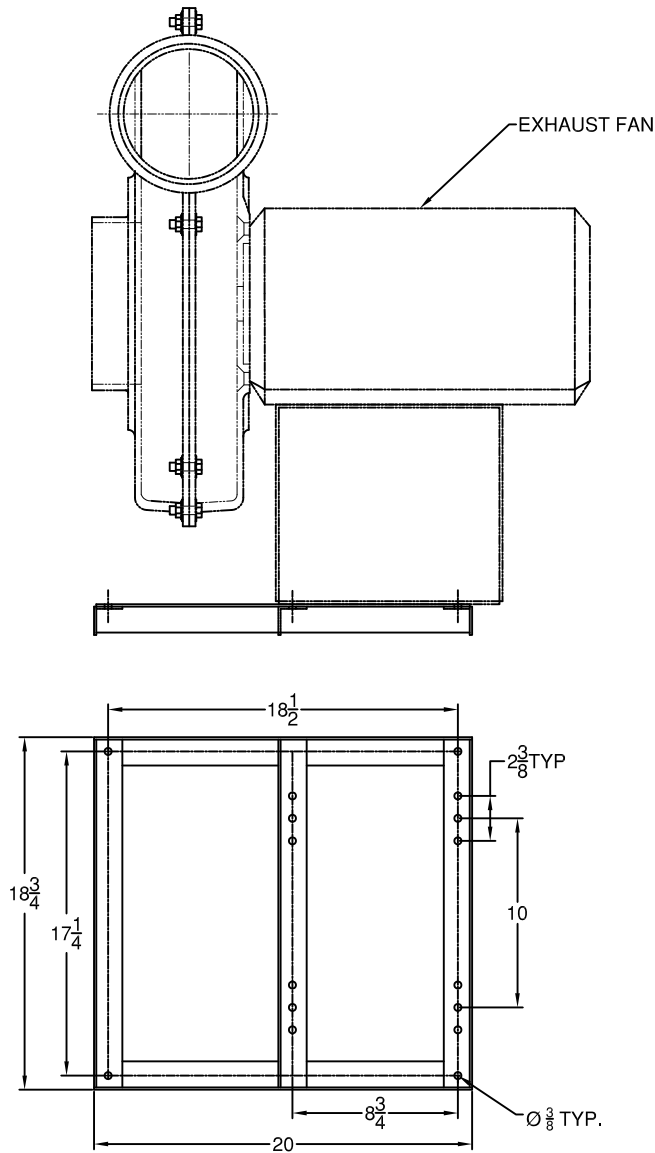
ENGINEER:

SALES ENGINEER:

ARCHITECT:

CONTRACTOR:

DATE:



SCHEDULE

ITEM	QTY	MODEL	REFERENCE
		CM-TPD12-182T,184T	

NOTES:

ALL DIMENSIONS ARE IN INCHES.

FRAME - 1-1/2 x 1-12 x 1/8 PAINTED STEEL ANGLE.

DIMENSIONS SUBJECT TO CHANGE WITHOUT NOTICE.