

PROJECT:

LOCATION:

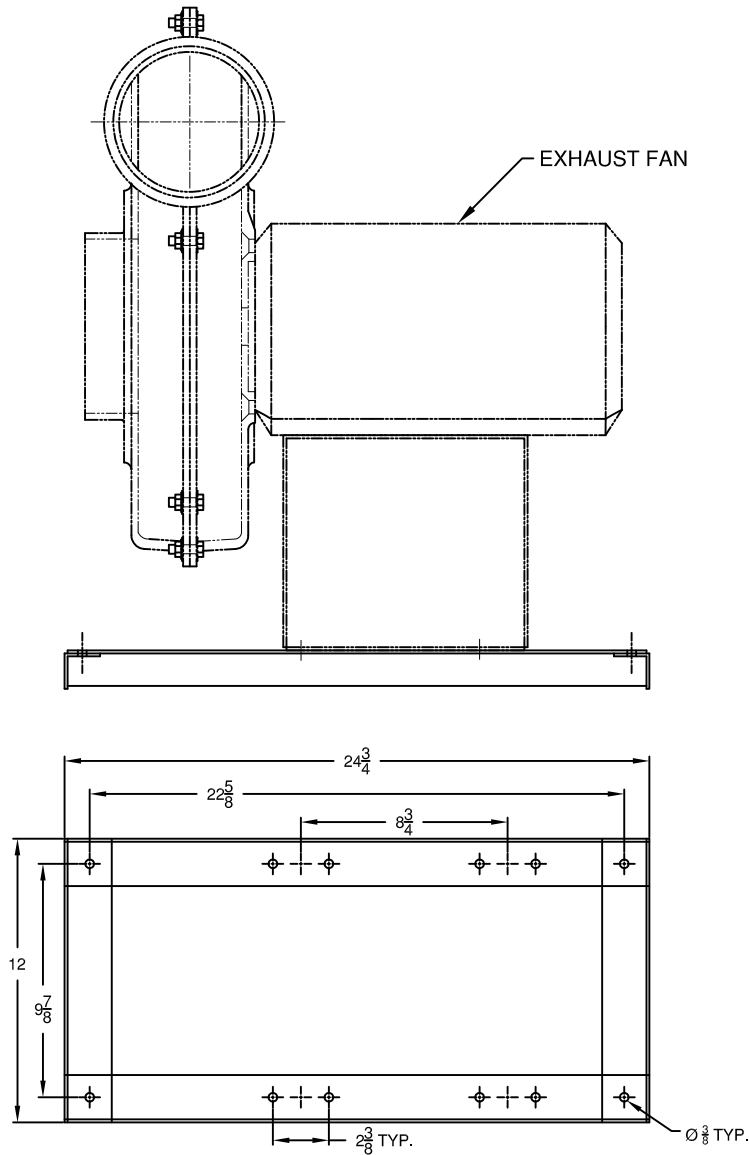
ENGINEER:

SALES ENGINEER:

ARCHITECT:

CONTRACTOR:

DATE:



SCHEDULE

ITEM	QTY	MODEL	REFERENCE
		CM-TPD14/15-182,215T	

NOTES:

ALL DIMENSIONS ARE IN INCHES.
 FRAME - 1-1/2 x 1-1/2 x 1/8 PAINTED STEEL ANGLE.
 DIMENSIONS SUBJECT TO CHANGE WITHOUT NOTICE.