

PROJECT:

LOCATION:

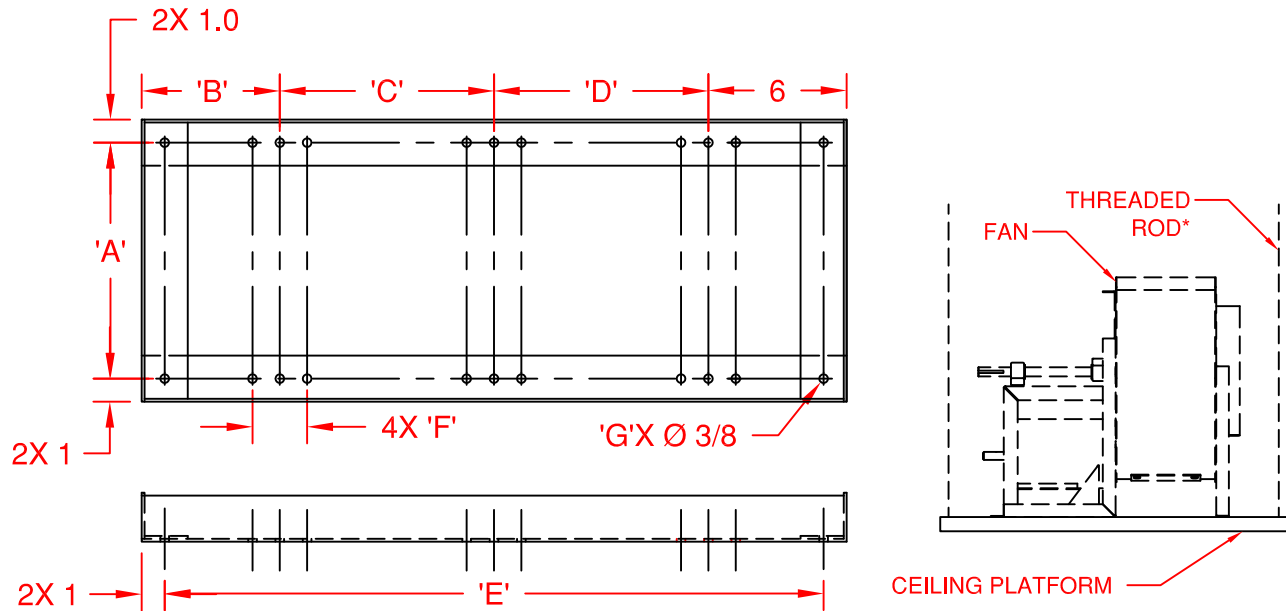
ENGINEER:

SALES ENGINEER:

ARCHITECT:

CONTRACTOR:

DATE:



MODEL	'A'	'B'	'C'	'D'	'E'	'F'	'G'
CM-UVS105	13-1/2	14	12	—	30	2-3/8	16
CM-UVS122	13-1/2	6	11-1/2	12	33-1/2	2-3/8	22
CM-UVS135	14-3/4	6	12-5/8	12	34-5/8	2-3/8	22
CM-UVS150	16-1/2	6	13-3/4	13-7/8	37-5/8	2-3/8	22
CM-UVS165	17-1/2	6	15	13-7/8	38-7/8	2-3/8	22
CM-UVS182	19-1/4	6	16-3/8	16-3/4	43-1/8	3	22
CM-UVS200	21-1/4	6	17-3/4	16-3/4	44-1/2	3	22
CM-UVS222	22-1/4	6	20	19	49	3	22
CM-UVS245	23-1/4	6	21-3/4	20	51-3/4	3	22
CM-UVS270	26-1/4	6	23-5/8	22	55-5/8	3	22
CM-UVS300	24-1/4	6	26-5/8	24	60-5/8	3	22
CM-UVS330	24-1/4	6	28-7/8	25	63-7/8	3	22
CM-UVS365	28-1/4	6	33-1/2	28-7/8	72-3/8	3	22

SCHEDULE

ITEM	QTY	MODEL	REFERENCE

SPECIFICATIONS:

- FRAME - 2 x 2 x 1/8 PAINTED STEEL ANGLE.
- UVS105 HAS 4 MOUNTING HOLES. ALL OTHERS HAVE 6.
- *THREADED ROD TO BE SUPPLIED BY INSTALLER.

DRAWING NOTES:

- ALL DIMENSIONS ARE IN INCHES.
- DIMENSIONS SUBJECT TO CHANGE WITHOUT NOTICE.