

PROJECT:

LOCATION:

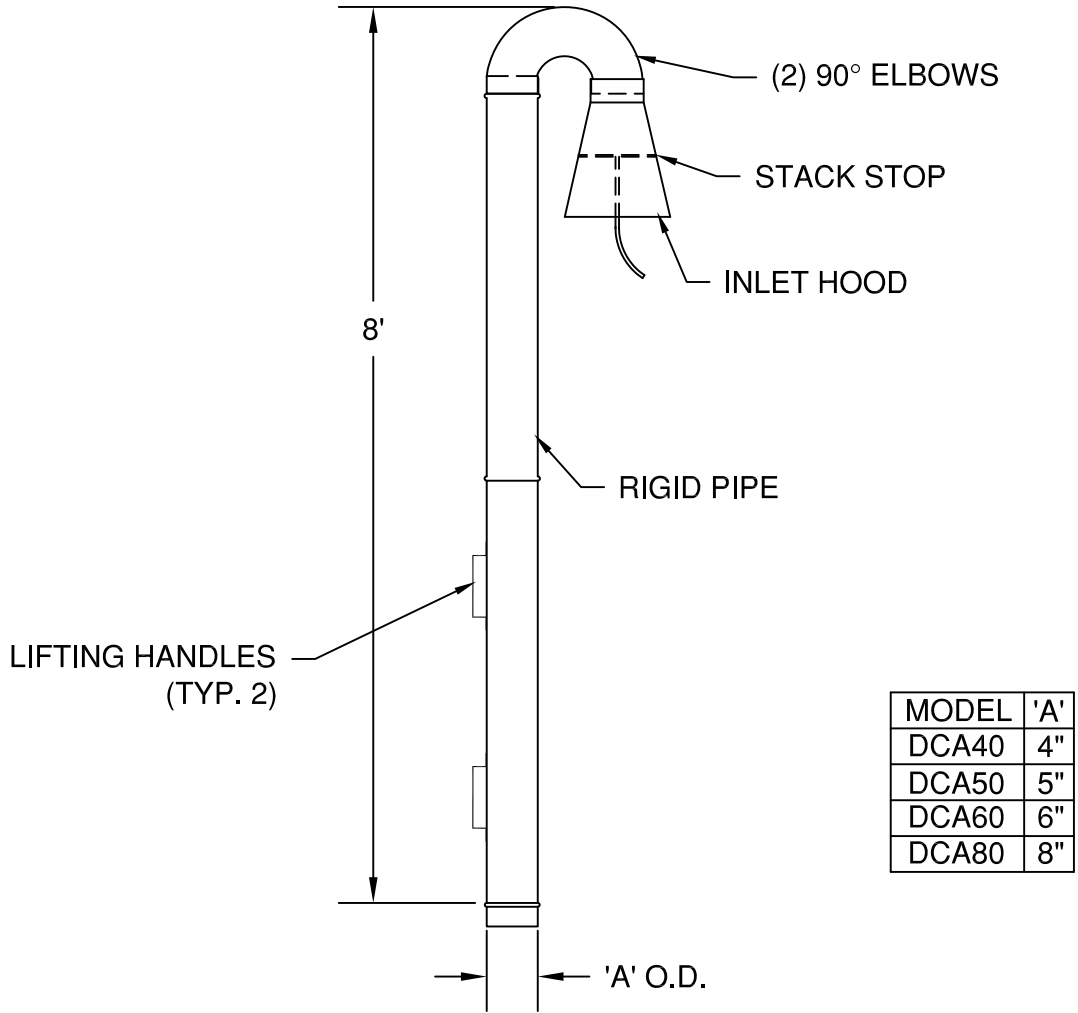
ENGINEER:

SALES ENGINEER:

ARCHITECT:

CONTRACTOR:

DATE:



SCHEDULE

ITEM	QTY	MODEL	REFERENCE

NOTES:
 ALL DIMENSIONS IN INCHES.
 INLET HOOD: 20 GAUGE ALUMINUM.
 RIGID PIPE: 26 GAUGE REINFORCED ALUMINUM.