

PROJECT:

LOCATION:

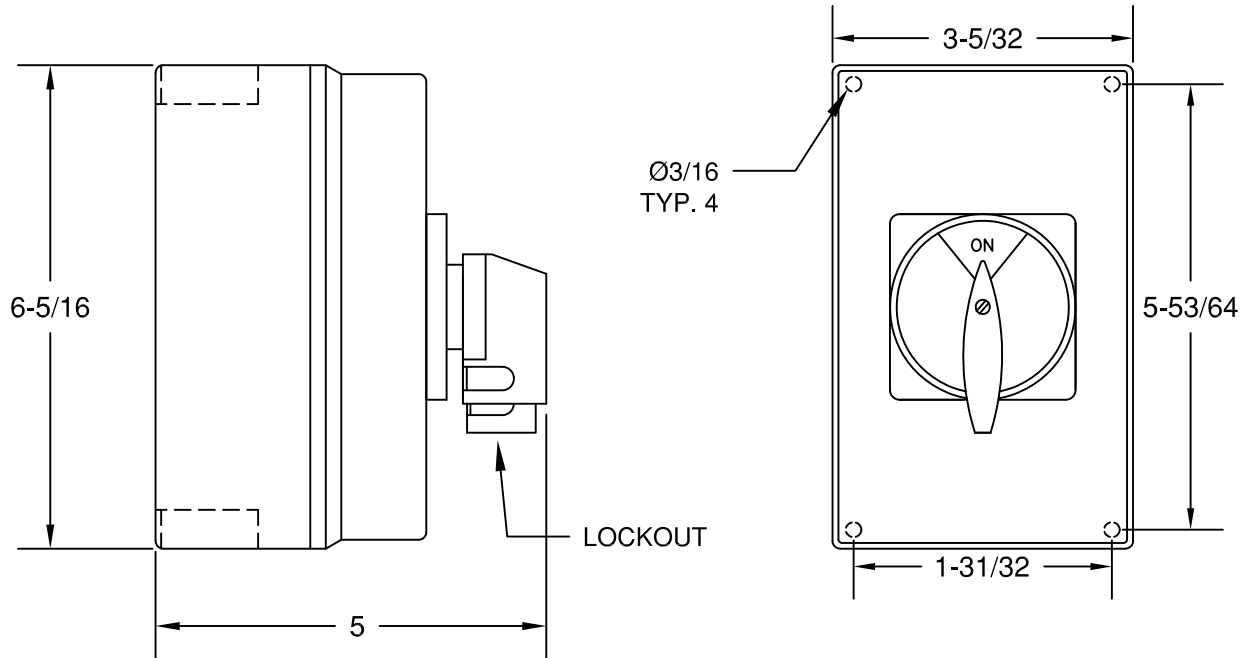
ENGINEER:

SALES ENGINEER:

ARCHITECT:

CONTRACTOR:

DATE:



MODEL	CURRENT RATING(A)	MAXIMUM HP RATING					POLES
		1 PHASE		3 PHASE			
		120V	240V	240V	480V	600V	
DS3R-1/3-25A-4X	25	1-1/2	2	7-1/2	15	20	3
DS3R-1/3-32A-4X	32	2	3	7-1/2	20	25	3

### SCHEDULE

ITEM	QTY	MODEL	REFERENCE

**NOTES:**

ALL DIMENSIONS ARE IN INCHES UNLESS OTHERWISE NOTED.

**FEATURES:**

10KA SHORT CIRCUIT RATING AT 600V AC.

SWITCH INCLUDES IP20 TERMINALS.

POLYCARBONATE ENCLOSURE - NEMA 4X/IP65 RATING.

LINE-SIDE TERMINAL SHIELD FOR PROTECTION AGAINST ACCIDENTAL CONTACT WITH LIVE PARTS.

PANEL/BASE MOUNT SWITCHES FOR EASE OF WIRING.

LOCKABLE OPERATING HANDLE.