

PROJECT:

LOCATION:

ENGINEER:

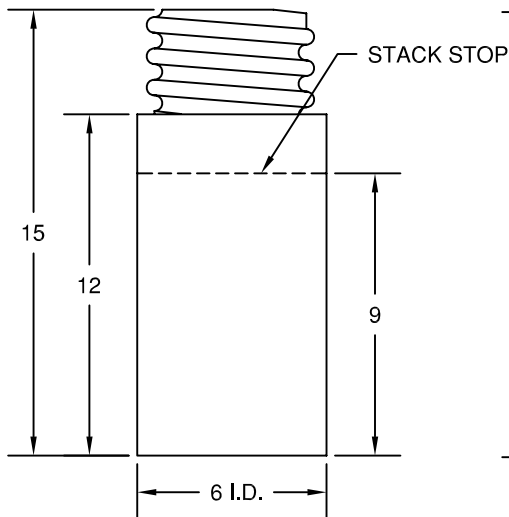
SALES ENGINEER:

ARCHITECT:

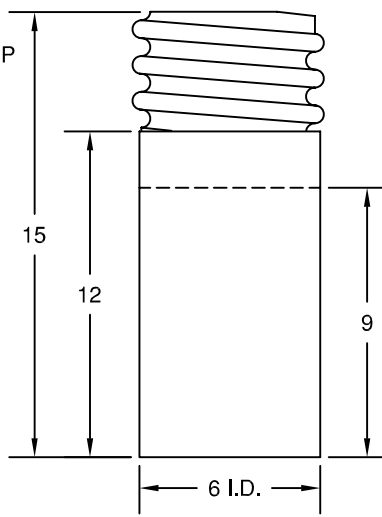
CONTRACTOR:

DATE:

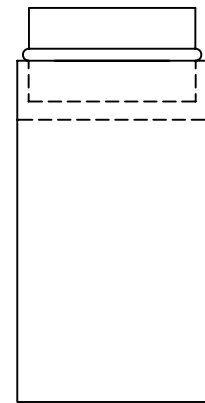
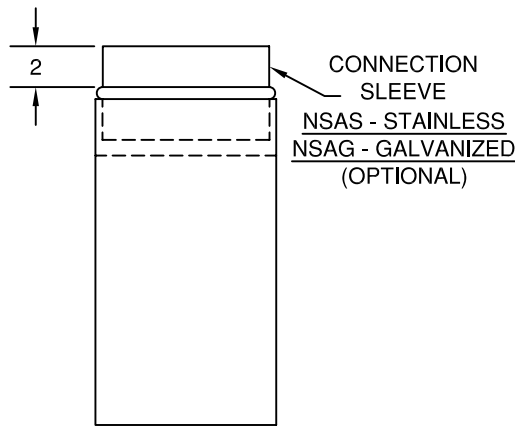
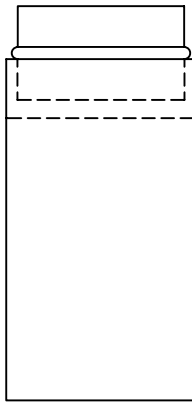
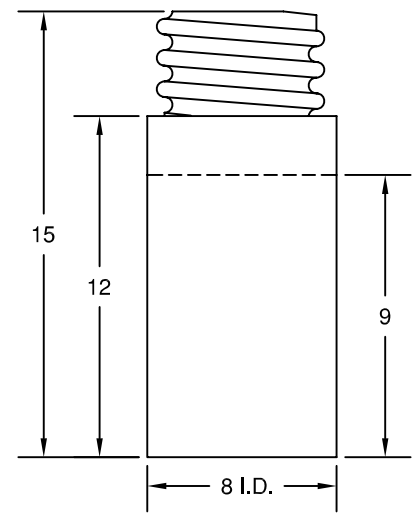
DIESEL STACK ADAPTER
DSR 605 - 4 & 5 HOSE



DIESEL STACK ADAPTER
DSR 606 - 6 HOSE



DIESEL STACK ADAPTER
DSR 8600 - 6 HOSE



SCHEDULE

ITEM	QTY	MODEL	REFERENCE

NOTES:

ALL DIMENSIONS IN INCHES AND NOMINAL.

CONSTRUCTION: SPECIAL FORMULATED RUBBER COMPOUND DESIGNED TO WITHSTAND EXHAUST TEMPERATURES UP TO 600° F.

HOSE DIAMETERS ARE FOR MODEL N1 HOSE. OTHER HOSES REQUIRE THE THREADS BE REMOVED AND A CONNECTION SLEEVE INSTALLED.

OPTIONAL CONNECTION SLEEVES CONSTRUCTED OF 20 GA. GALV. OR STAINLESS STEEL.