

PROJECT:

LOCATION:

ENGINEER:

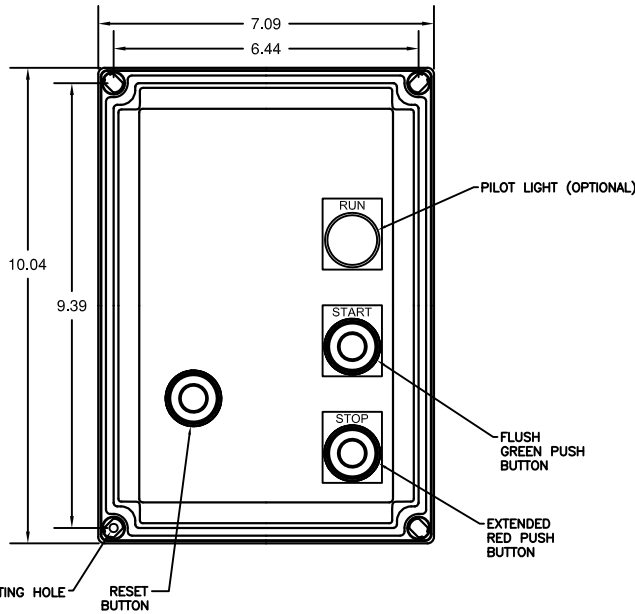
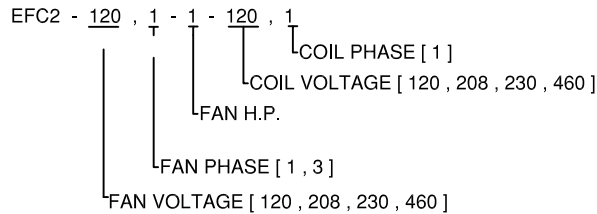
SALES ENGINEER:

ARCHITECT:

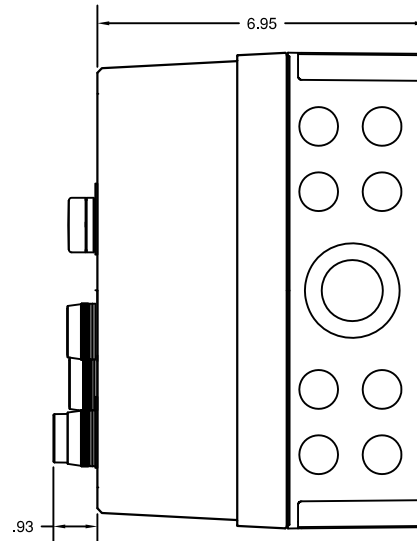
CONTRACTOR:

DATE:

MODEL DESIGNATION



FRONT VIEW



SIDE VIEW

SCHEDULE

ITEM	QTY	MODEL	HP	FAN VOLTAGE	COIL VOLTAGE	REFERENCE

NOTES:

MOTOR PROTECTION FROM OVERLOAD. START/STOP 3-WIRE CONTROL, THROUGH THE COVER OVERLOAD RESET.

UL NEMA 4X RATED, NON-CORROSIVE, OUTDOOR, WASH DOWN RATED.

* DEFAULT VOLTAGES . ADVISE ACTUAL VOLTAGES IF DEFAULT(S) IS INCORRECT.

ALL DIMENSIONS ARE IN INCHES.