

PROJECT:

LOCATION:

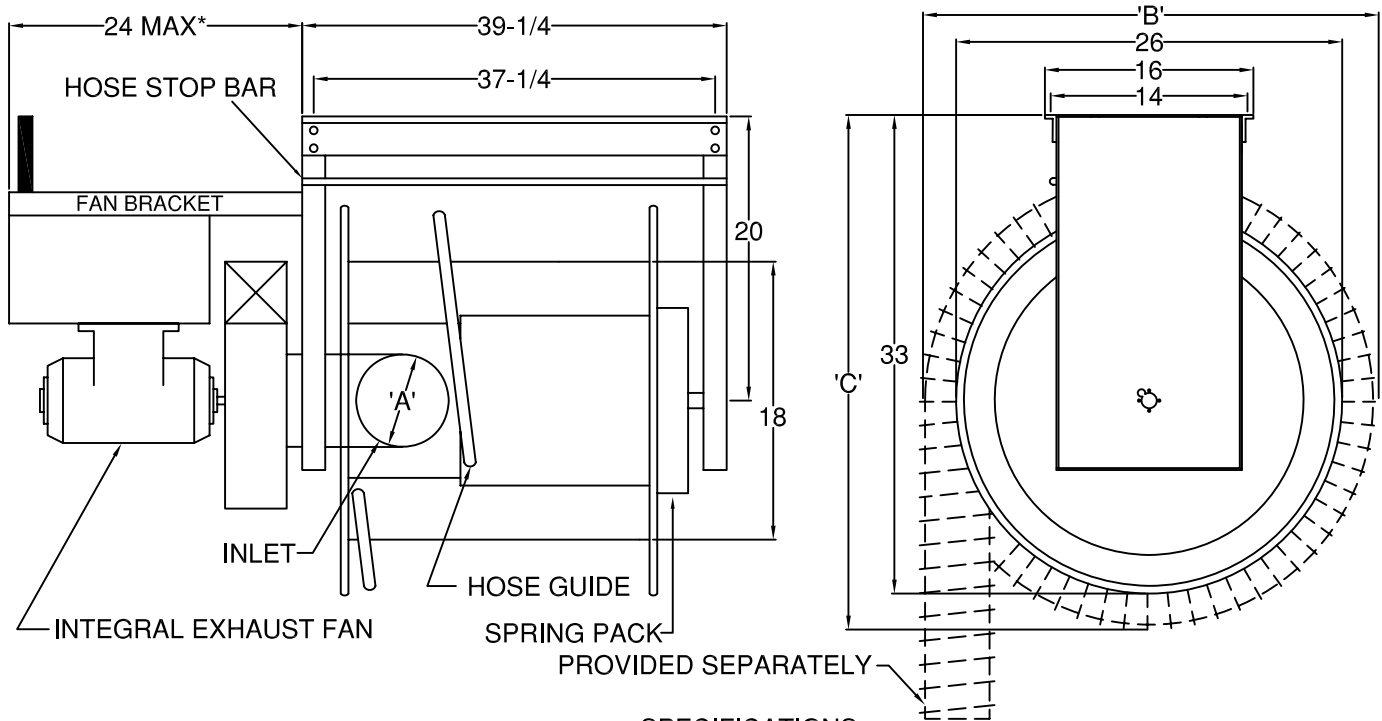
ENGINEER:

SALES ENGINEER:

ARCHITECT:

CONTRACTOR:

DATE:



MODEL	HOSE DIAMETER-'A'	HOSE CAPACITY STD * (FT)	'B'	'C'
HRA300	3	25'	25	32-1/2
HRA400	4	25'	27	33-1/2
HRA500	5	25'	29	34-1/2
HRA600	6	25'	31	35-1/2

SPECIFICATIONS:

DRUM: 14 GA. GALVANIZED STEEL
 DRUM SIDE PLATE: 16 GA. GALVANIZED STEEL
 FRAME: 12 GA. GALVANIZED STEEL
 BEARING: SLEEVE BEARINGS
 LOCKING LATCH MECHANISM
 ADJUSTABLE HOSE STOP INCLUDED (NOT SHOWN)

OPTIONS:

MICROSWITCH FOR FAN/DAMPER CONTROL (MODEL MKS)
 FAN (MODEL PW SHOWN) W/ MOUNT (MODEL FRM)

FOUR Ø1/2" MOUNTING HOLES IN 14" X 37-1/4" RECTANGULAR PATTERN

* VARIES DEPENDING ON FAN TYPE.

SCHEDULE

ITEM	QTY	MODEL	HOSE TYPE	HOSE DIAMETER	HOSE LENGTH	REFERENCE

NOTES

ALL DIMENSIONS IN INCHES UNLESS OTHERWISE SPECIFIED.

ALL HOSE REELS FURNISHED WITH A HOSE STOP RING AND PULL CABLE.

EXHAUST ADAPTER, FLEXIBLE HOSE, FAN AND PULL CABLE SPECIFIED ON SEPARATE DRAWING.

* CONSULT FACTORY FOR LARGER CAPACITIES OR NONSTANDARD DIAMETERS.