

PROJECT:

LOCATION:

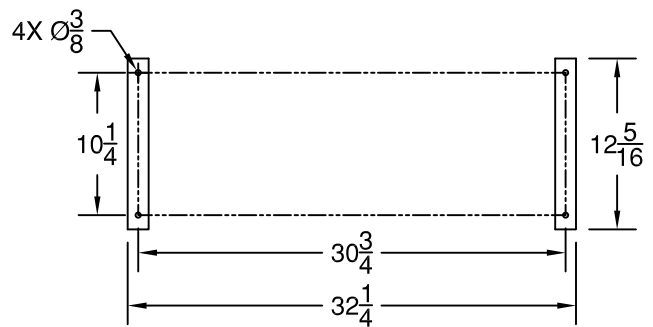
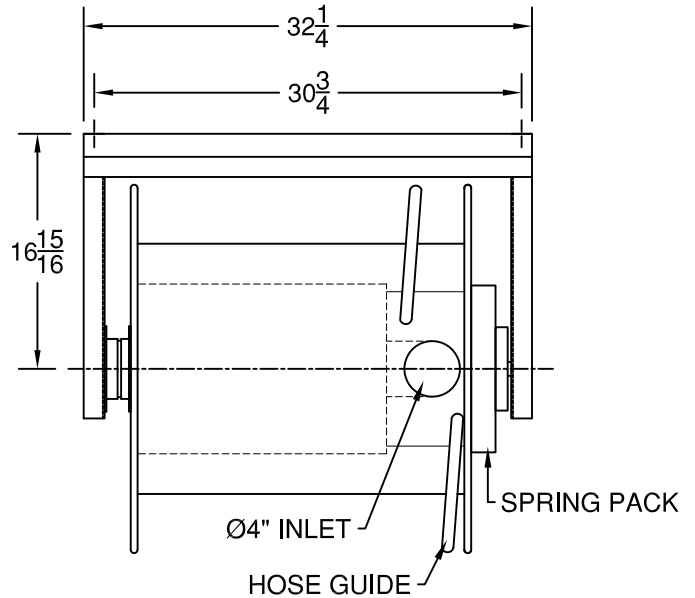
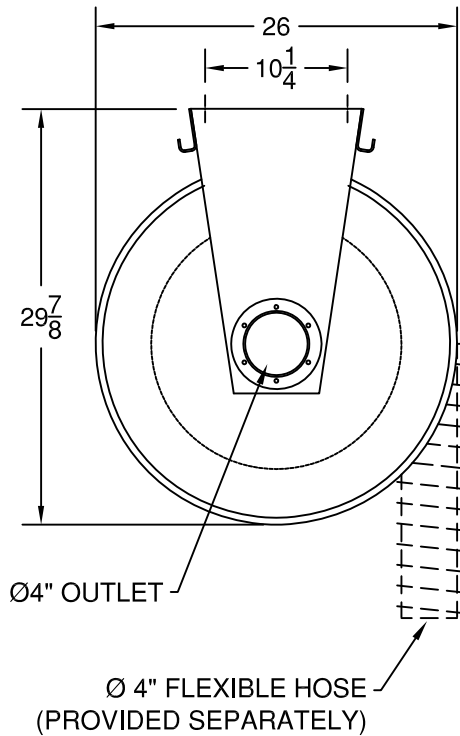
ENGINEER:

SALES ENGINEER:

ARCHITECT:

CONTRACTOR:

DATE:



FOOT PRINT

HRA40XS SPECIFICATIONS:

HOSE CAPACITY: Ø4" X 25'.

DRUM: REINFORCED 18 GA. GALVANIZED STEEL.

DRUM SIDE PLATE: REINFORCED 16GA. GALVANIZED STEEL, POWDER COAT FINISH.

FRAME BRACKETS: 16 GA. GALVANIZED ANGULAR STEEL, POWDER COAT FINISH.

FRAME SIDE PLATE: DOUBLE REINFORCED 16 GA. GALVANIZED STEEL, POWDER COAT FINISH.

BEARINGS: SLEEVE BEARINGS.

SPRING ASSEMBLY: FULLY ENCLOSED HEAVY DUTY CARBON STEEL SPRING WITH LOCKING LATCH MECHANISM.

SCHEDULE

ITEM	QTY	HOSE TYPE	HOSE Ø	HOSE LENGTH	REFERENCE

NOTES

ALL DIMENSIONS IN INCHES UNLESS OTHERWISE SPECIFIED.

EXHAUST ADAPTER, FLEXIBLE HOSE, AND FAN SPECIFIED ON SEPARATE DRAWING.

* CONSULT FACTOR FOR LARGER CAPACITIES OR NONSTANDARD DIAMETERS.