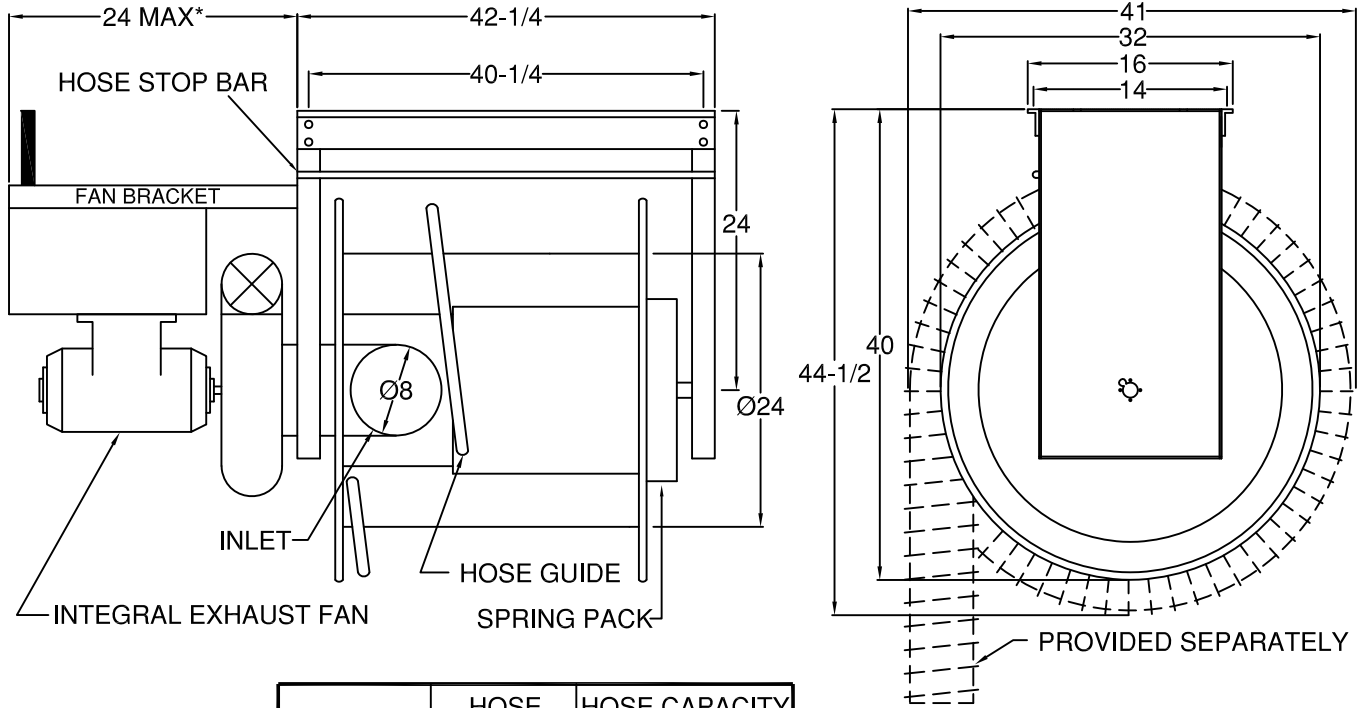


PROJECT:

LOCATION:	ENGINEER:	SALES ENGINEER:
ARCHITECT:	CONTRACTOR:	DATE:



MODEL	HOSE DIAMETER	HOSE CAPACITY STD ** (FT)
HRA800L	8"	30'

SPECIFICATIONS:

HOSE CAPACITY: Ø 8" X 30'. OTHER CAPACITIES AVAILABLE UPON REQUEST.

DRUM: REINFORCED 14 GA. GALVANIZED STEEL

DRUM SIDE PLATE: REINFORCED 16GA. GALVANIZED STEEL.

FRAME BRACKETS: POWDER COATED 12 GA. GALVANIZED ANGULAR STEEL.

FRAME SIDE PLATE: DOUBLE REINFORCED 12 GA. GALVANIZED STEEL.

BEARINGS: SLEEVE BEARINGS.

SPRING ASSEMBLY: TWO FULLY ENCLOSED HEAVY DUTY CARBON SPRING. LOCKING LATCH MECHANISM.

FAN TO REEL MOUNT: POWDER COATED ANGULAR STEEL.

FOUR Ø1/2" MOUNTING HOLES, 14" X 40-1/4" RECTANGULAR PATTERN.

* VARIES DEPENDING ON FAN MODEL.

SCHEDULE

ITEM	QTY	HOSE TYPE	HOSE LENGTH	REFERENCE

NOTES:

ALL DIMENSIONS IN INCHES UNLESS OTHERWISE SPECIFIED.

ALL HOSE REELS COME WITH HOSE STOP RING AND PULL CABLE.

EXHAUST ADAPTER, FLEXIBLE HOSE, FAN AND PULL CABLE SPECIFIED ON SEPARATE DRAWING.

**CONSULT FACTORY FOR LARGER CAPACITIES OR NON-STANDARD DIAMETERS.