

PROJECT:

LOCATION:

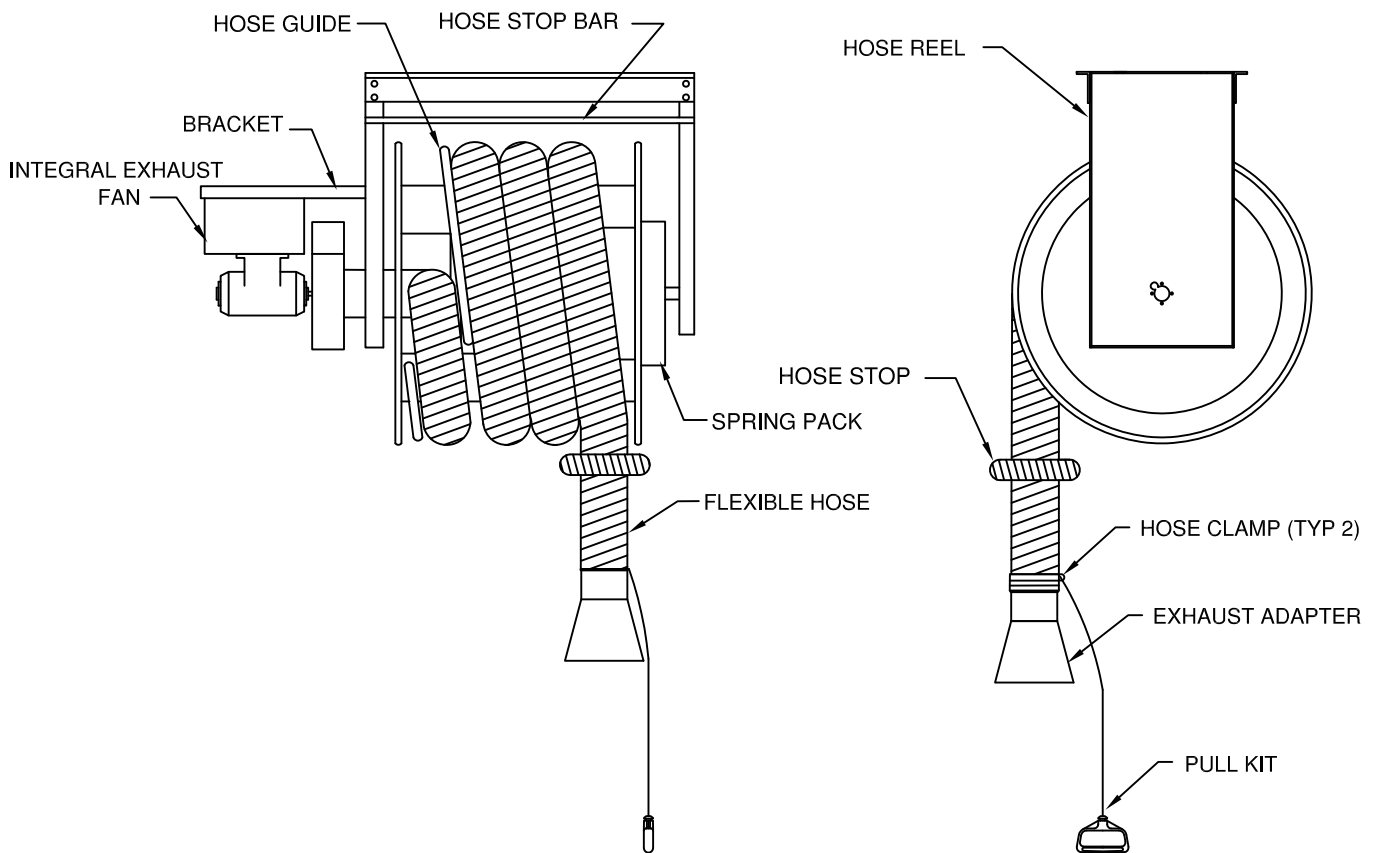
ENGINEER:

SALES ENGINEER:

ARCHITECT:

CONTRACTOR:

DATE:



**NOTES:**

IN THE STORAGE POSITION, THE BOTTOM OF THE TAILPIPE ADAPTER SHOULD BE A MINIMUM OF 7' OFF THE FLOOR. TO OPERATE, EXTEND THE HOSE ASSEMBLY DOWN TO THE DESIRED LOCATION UNTIL REEL LOCKS INTO POSITION. ATTACH THE EXHAUST ADAPTER TO THE VEHICLE TAILPIPE. TO RETRACT THE HOSE, REMOVE THE EXHAUST ADAPTER AND PULL THE HOSE ASSEMBLY UNTIL THE LOCK IS DISENGAGED. ALLOW THE HOSE TO SLOWLY RETRACT.