

PROJECT:

LOCATION:

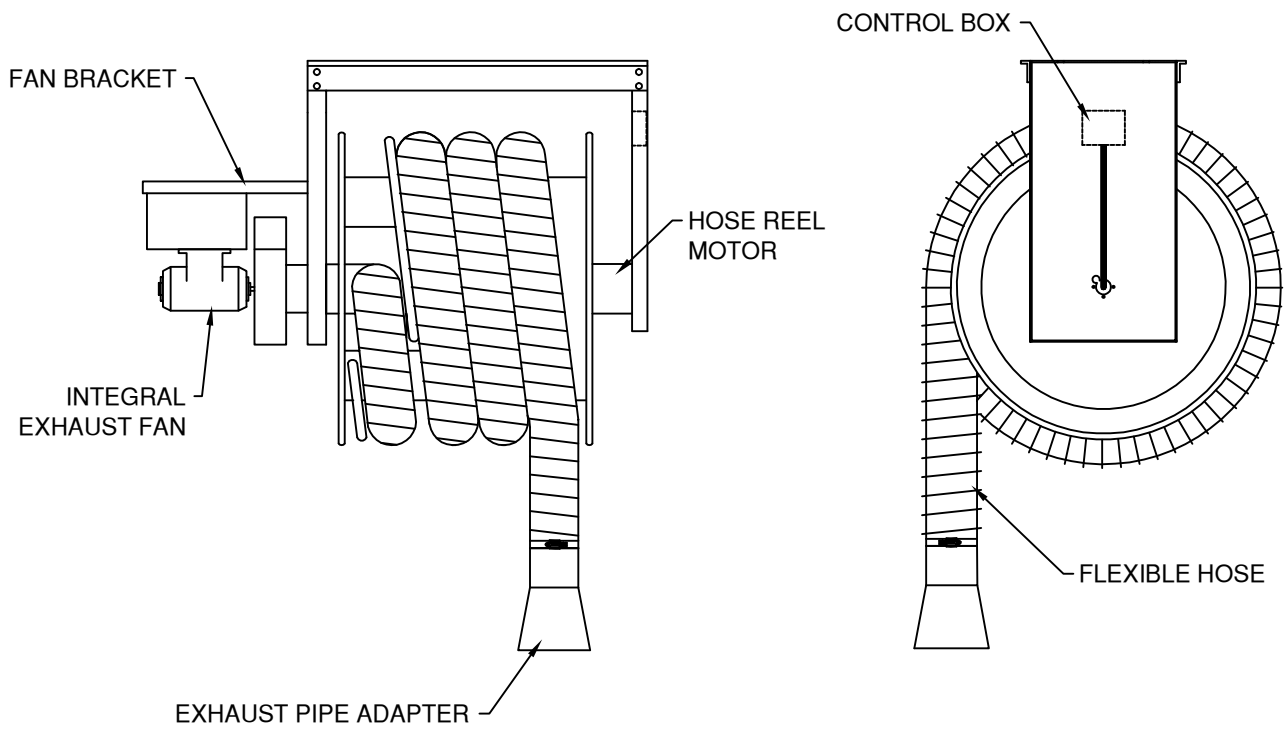
ENGINEER:

SALES ENGINEER:

ARCHITECT:

CONTRACTOR:

DATE:



NOTES:
SEE INDIVIDUAL SUBMITTAL SHEETS FOR ADDITIONAL INFORMATION.