



SUBMITTAL

WMFA WITH SIFA SYSTEM LAYOUT

PROJECT:

LOCATION:

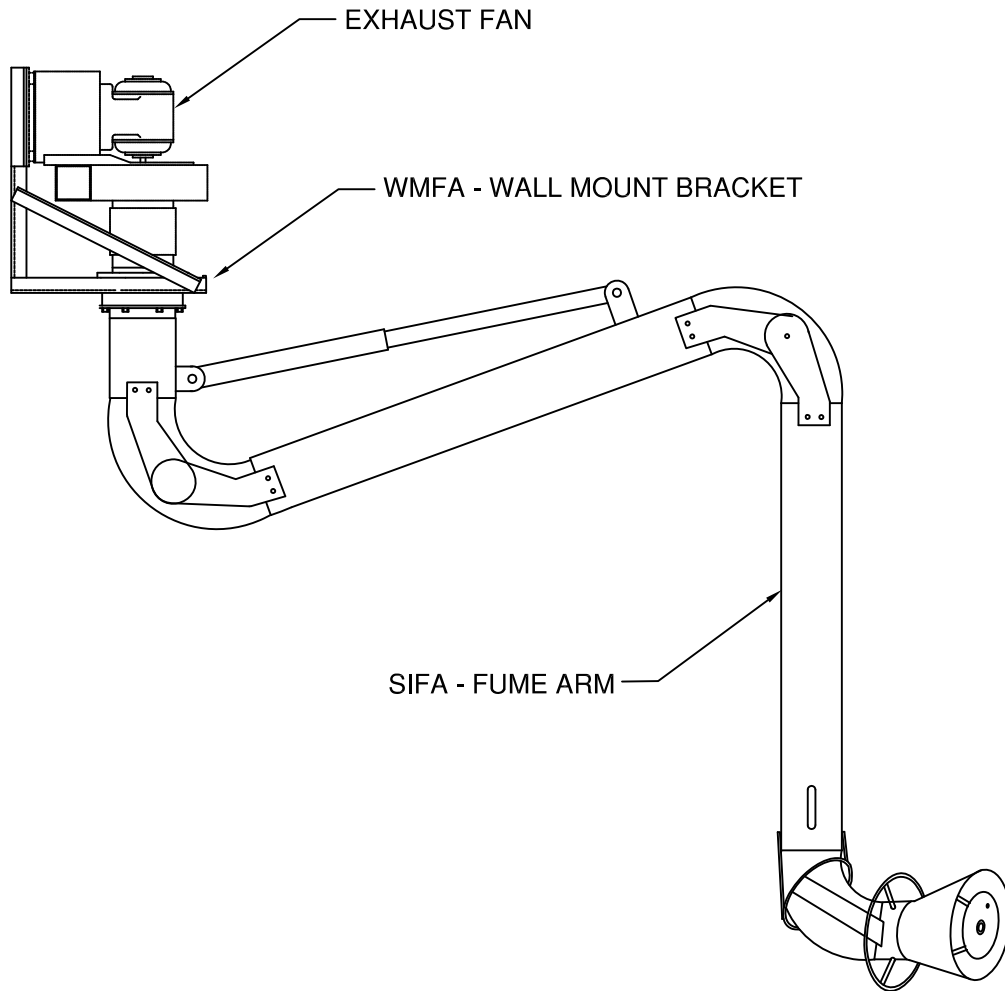
ENGINEER:

SALES ENGINEER:

ARCHITECT:

CONTRACTOR:

DATE:



NOTES

SEE INDIVIDUAL SUBMITTAL SHEETS FOR DETAILED INFORMATION