

PROJECT:

LOCATION:

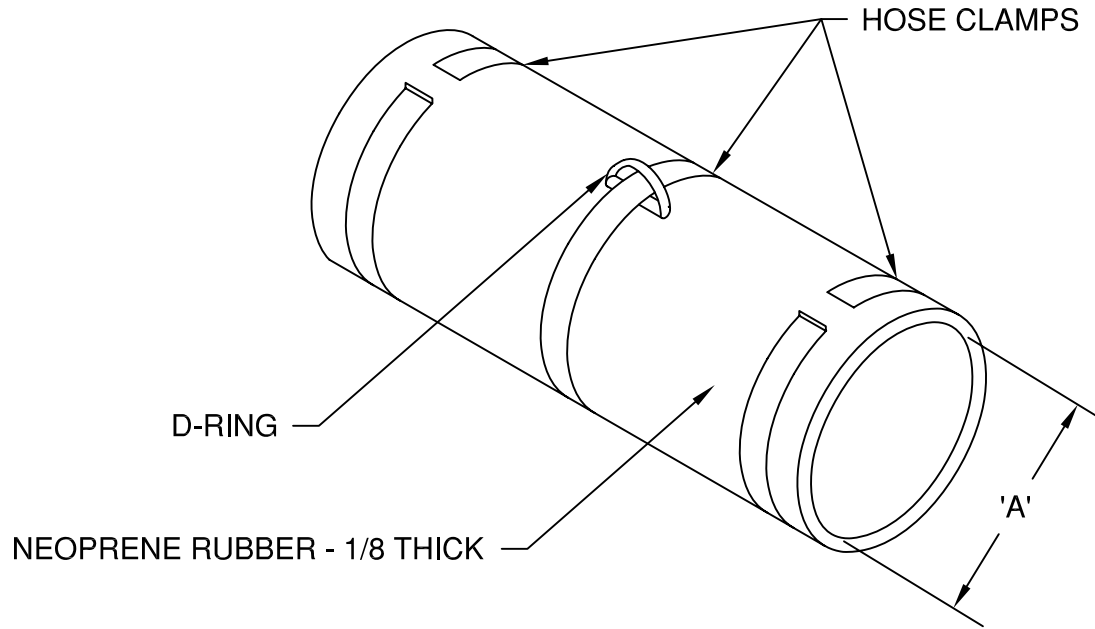
ENGINEER:

SALES ENGINEER:

ARCHITECT:

CONTRACTOR:

DATE:



MODEL	'A'
LSN30	3
LSN40	4
LSN50	5
LSN60	6
LSN80	8
LSN100	10

## SCHEDULE

ITEM	QTY	MODEL	REFERENCE

**NOTES:**

ALL DIMENSIONS ARE IN INCHES.  
 RECOMMENDED FOR USE WITH ALL OVERHEAD NON-DISAPPEARING SYSTEMS EXCEPT NO CRUSH SYSTEMS. SADDLE - BLACK RUBBER. D-RING - CHROME. HOSE CLAMPS - STAINLESS STEEL. THE SADDLE IS ADJUSTABLE & WRAPS AROUND THE HOSE.