



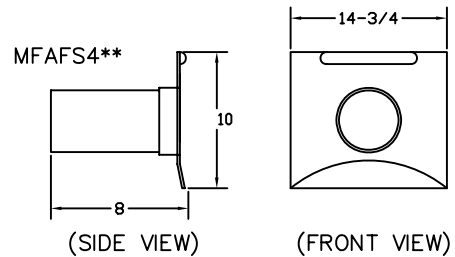
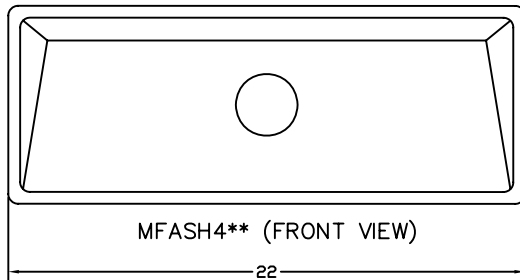
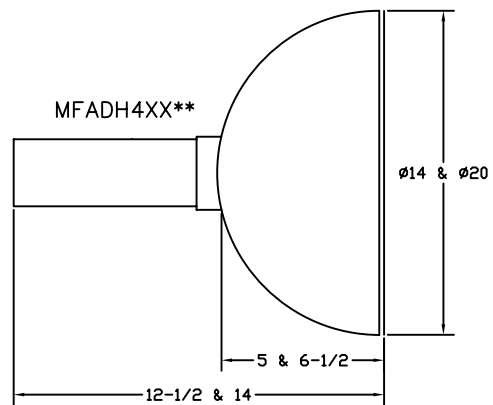
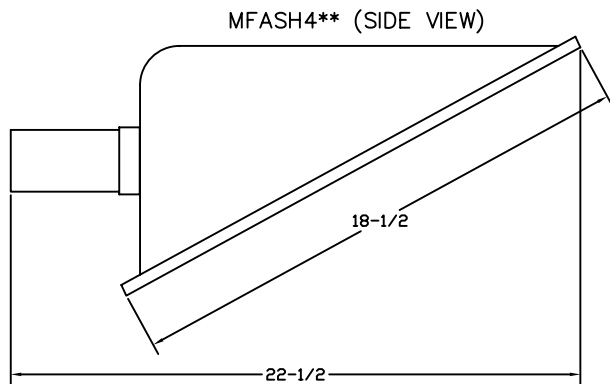
SUBMITTAL

FUME HOODS FOR 4" DIAMETER MFA400 FUME ARMS

PROJECT:

LOCATION:	ENGINEER:	SALES ENGINEER:
ARCHITECT:	CONTRACTOR:	DATE:

MODEL - 4" DIA	DESCRIPTION
MFASH4	SQUARE HOOD
MFADH414	DOME HOOD - $\phi 14$ INLET
MFADH420	DOME HOOD - $\phi 20$ INLET
MFAFS4	FLAT SCREEN



SCHEDULE

ITEM	QTY	MODEL	REFERENCE

NOTES

- *CONSTRUCTED OF POWDER COATED ALUMINUM
- **CONSTRUCTED OF TRANSPARENT PLASTIC.
- ALL COLLARS ANODIZED ALUMINUM