

PROJECT:

LOCATION:

ENGINEER:

SALES ENGINEER:

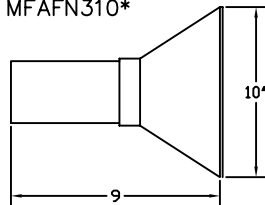
ARCHITECT:

CONTRACTOR:

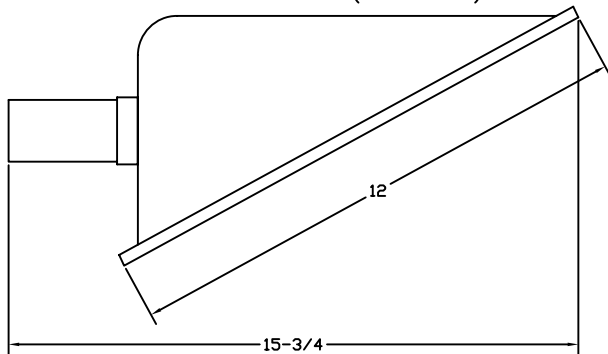
DATE:

MODEL - 3" DIA	DESCRIPTION
MFAN310	NOZZLE
MFASH3	SQUARE HOOD
MFADH314	DOME HOOD - $\phi 14$ INLET
MFAFS3	FLAT SCREEN

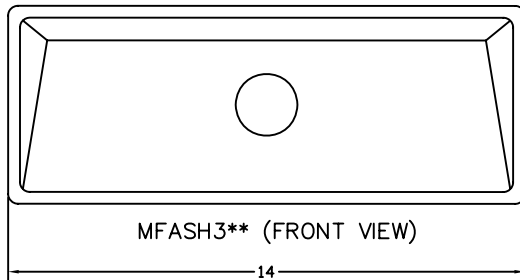
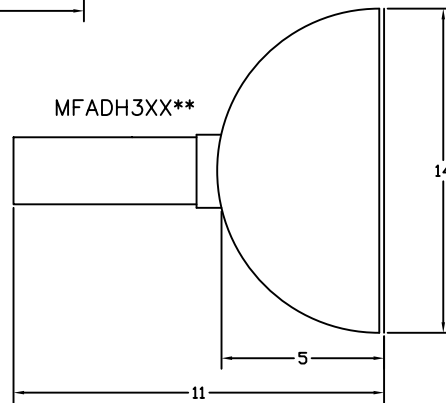
MFAFN310\*



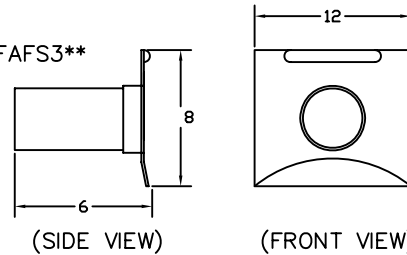
MFASH3\*\* (SIDE VIEW)



MFADH3XX\*\*



MFAFS3\*\*



### SCHEDULE

ITEM	QTY	MODEL	REFERENCE

NOTES

- \*CONSTRUCTED OF POWDER COATED ALUMINUM
- \*\*CONSTRUCTED OF TRANSPARENT PLASTIC.
- ALL COLLARS ANODIZED ALUMINUM