



SUBMITTAL

MKS-HR MICROSWITCH FOR HOSE REEL

PROJECT:

LOCATION:

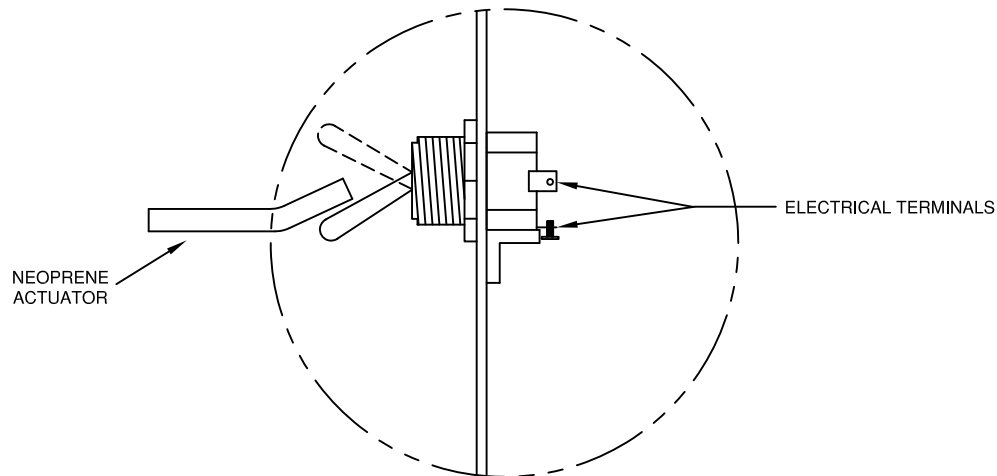
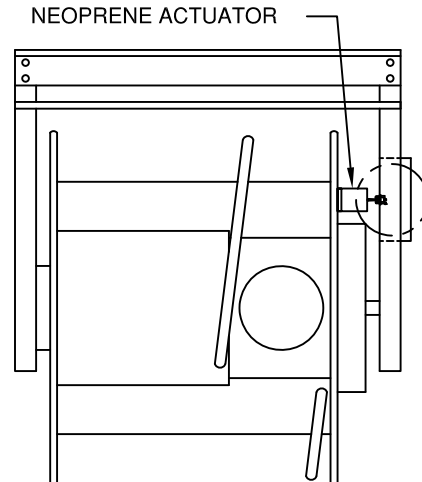
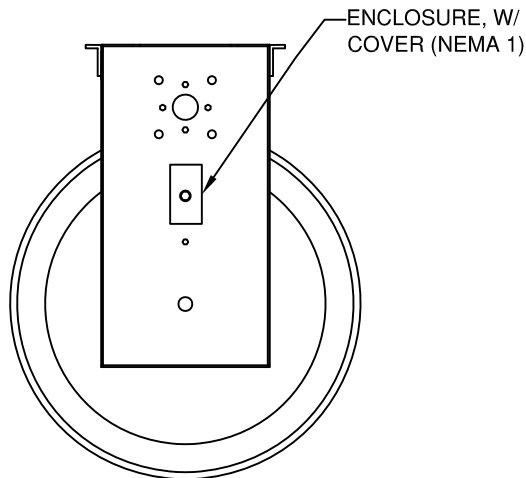
ENGINEER:

SALES ENGINEER:

ARCHITECT:

CONTRACTOR:

DATE:



DETAILED VIEW OF MICROSWITCH

SCHEDULE

ITEM	QTY	MODEL	REFERENCE
		MKS-HR	

NOTES:
THE MICROSWITCH IS USED TO OPERATE FAN OR MOTORIZED DAMPER WHEN REEL IS RETRACTING OR EXTENDING