

PROJECT:

LOCATION:

ENGINEER:

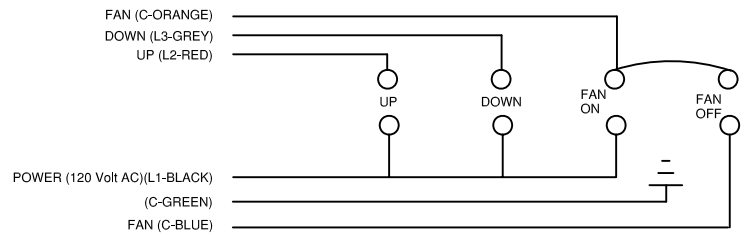
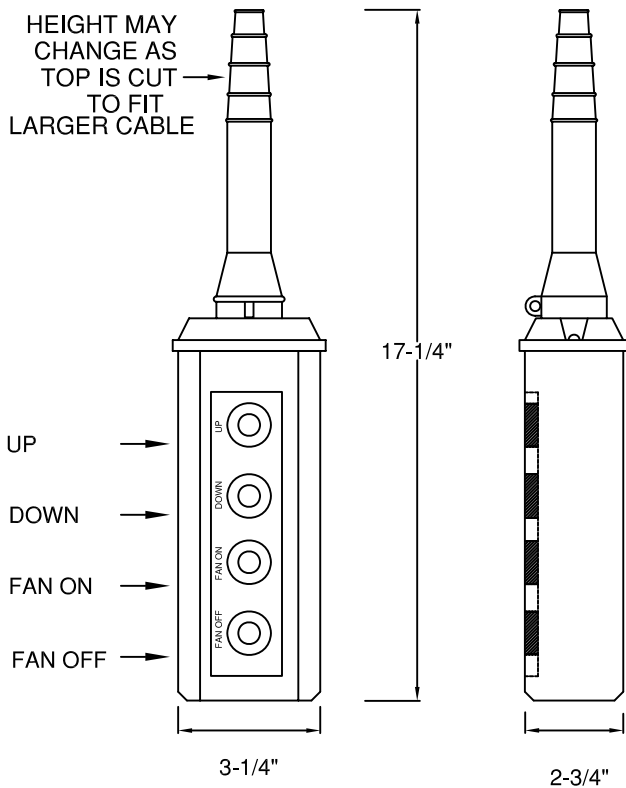
SALES ENGINEER:

ARCHITECT:

CONTRACTOR:

DATE:

PENDANT WIRING DIAGRAM



WIRING INSTRUCTIONS

1. REMOVE BOTTOM COVER.
2. WIRE AS SHOWN IN ABOVE DIAGRAM.
3. CLAMP WIRE INTO TERMINAL WITH BUILT IN CLAMP.
4. REPLACE AND SECURE COVER.

SCHEDULE

ITEM	QTY	MODEL	REFERENCE

NOTES

ALL DIMENSIONS IN INCHES
 PENDANT REMOTE IS CONSTRUCTED OF HIGH VISIBILITY, IMPACT RESISTANT, MOLDED PLASTIC.
 ***PLEASE SPECIFY LENGTH OF CABLE DESIRED WHEN ORDERING.