



# SUBMITTAL

# PORT700CF-O PORTABLE FUME COLLECTOR

PROJECT:

LOCATION:

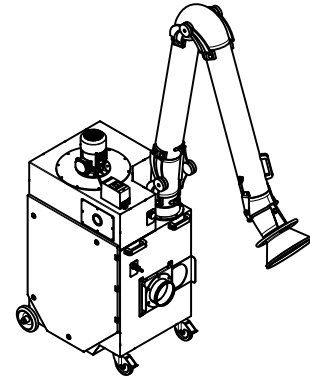
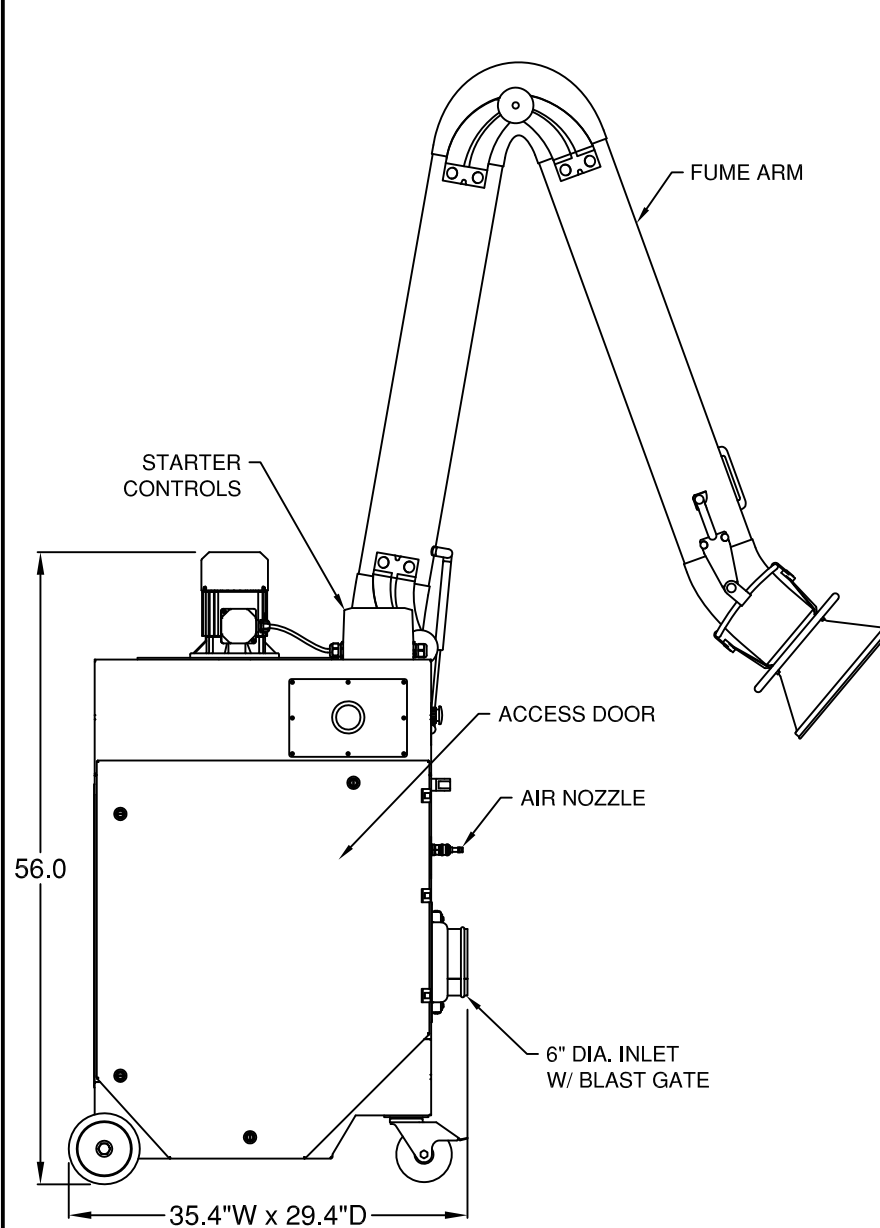
ENGINEER:

SALES ENGINEER:

ARCHITECT:

CONTRACTOR:

DATE:



### PORT700CF SPECIFICATIONS

- MOTOR: 1.5HP TEFC NEMA
- 120/1/60
- 750 CFM
- PUSH BUTTON CONTROLS W/OVERLOAD
- ALUMINUM FAN IMPELLER
- 10' POWER CORD

### FILTRATION STAGES:

1. ALUMINUM MESH PREFILTER
2. MAIN CARTRIDGE FILTER
3. ACTIVATED CARBON AFTER-FILTER

MAIN FILTER MEDIA AREA: 197 FT<sup>2</sup>

MEDIA EFFICIENCY: 99% EFFICIENCY AT 0.5 MICRON.

CLEANING CYCLE: PNEUMATIC, SELF-CONTAINED COMPRESSED AIR TANK, MANUAL PULSE JET AIR CONTROL, MAGNEHELIC PRESSURE GAUGE.

NO. OF REVERSE AIR VALVES: 1

COMPRESSED AIR REQUIREMENT: 90 PSI

COMPRESSED AIR TANK: 2.6 GALLON

CONSTRUCTION: 14 GAUGE STEEL

- PAINT COLOR: POWDER COATED BLUE

- INSULATION IN THE BLOWER COVER & HOUSING

### FUME ARM:

BLUE POWDER COATED STEEL TUBES, HEAVY CAST ALUMINUM JOINTS, 360° SWIVEL, SAFETY YELLOW POWDER COATED SPUN ALUMINUM INLET HOOD W/ CIRCULAR HANDLE. FLEXIBLE JOINTS OF TWO PLY NEOPRENE COATED POLYESTER W/INTERNAL STEEL HELIX, INTEGRAL TO ARM.

WARRANTY: 1 YEAR

## SCHEDULE

ITEM	QTY	REFERENCE

NOTES:  
ALL DIMENSIONS ARE IN INCHES.