



**11975 Portland Ave S, Suite 104
Burnsville, MN 55337**

Phone: 952-894-6637

Email: info@ventaire.com

Website: www.ventaire.com

PRODUCT GUIDE FOR SIFA FUME ARM

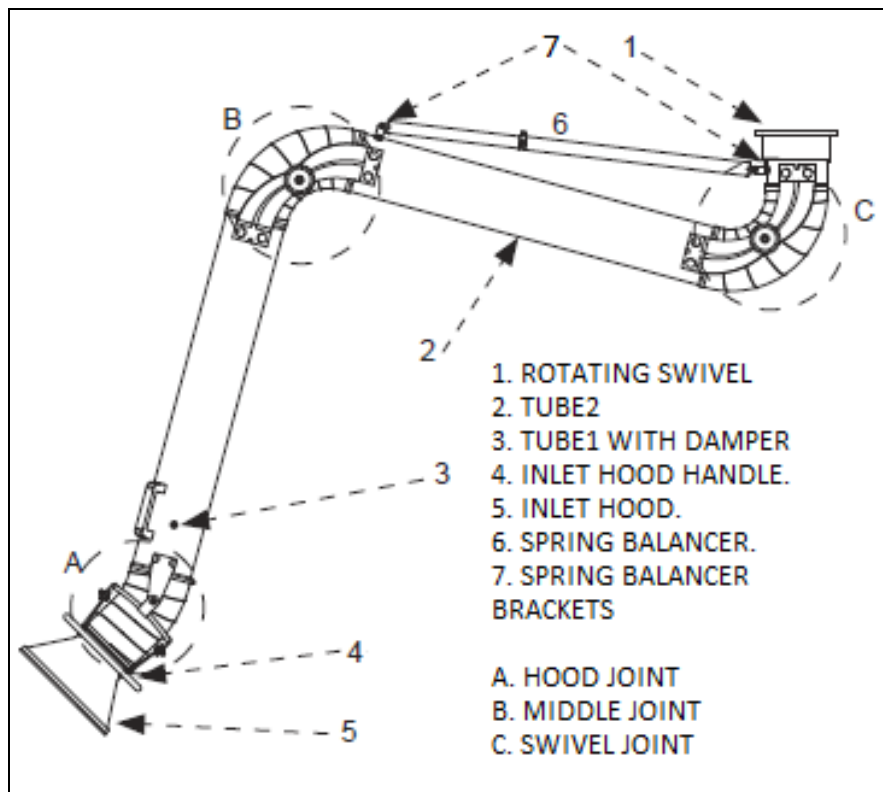


FIG1 – Fume Arm Components

For moving, lifting, handling and installing the SIFA series fume arms, please ensure you use “SAFE WORK PRACTICES” AND PRECAUTIONS.

INTRODUCTION

1. Read **ALL** of the instructions before proceeding with any installation, operation, or maintenance.
2. Inspect the fume arm, rigid duct adapter and the spring balancer for any damage. Report any damaged immediately to your Ventaire representative.
3. The fume extraction arm is delivered assembled less the spring balancer. The mounting bracket (wall bracket, ceiling bracket or other mounting bracket) should be mounted prior to attaching the spring balancer.

INSTALLATION

1. Fume arm support bracket.

a. Wall mounting bracket.

- i. Determine the best location for the wall bracket to obtain maximum coverage range while maintaining required clearance below the fume arm. Review the surrounding area around the fume arm where it may contact obstruction, such as light fixtures or sprinkler heads.
- ii. Secure the wall bracket to rigid support structure. Use a level to ensure that the wall bracket is level before permanently attaching the bracket.

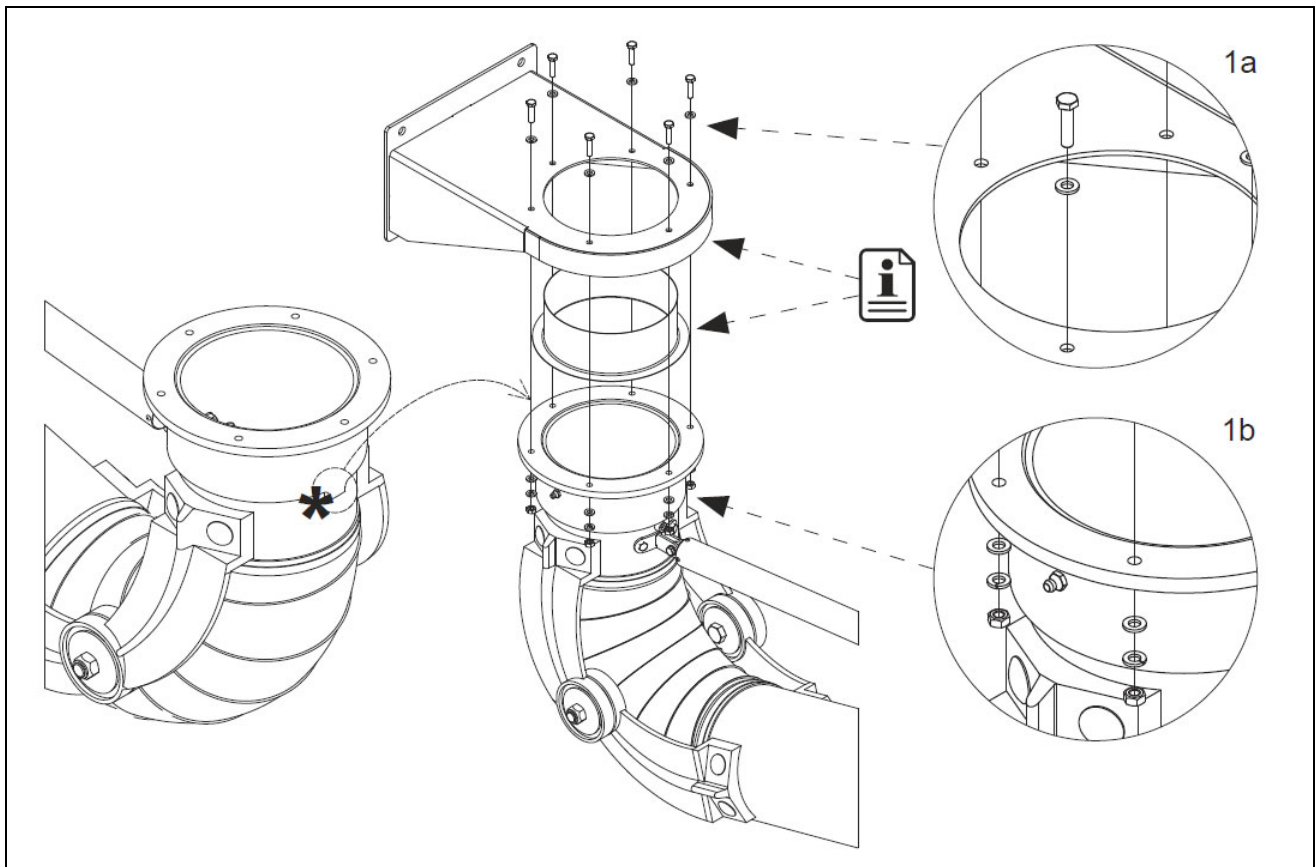


FIG2 – WALL BRACKET, DUCT COLLAR AND ARM FLANGE

b. Ceiling mounting bracket.

- i. Determine the best location for the ceiling bracket to obtain maximum coverage range while maintaining required clearance below the fume arm. Review the surrounding area around the fume arm where it may contact obstruction, such as light fixtures or sprinkler heads.
- ii. Secure the ceiling bracket to the overhead rigid support structure.

c. Boom mounted fume arms.

- i. Consult the specific Product Guide for the boom supplied.
2. For arms mounting to wall or ceiling brackets, insert the duct flange up through the large hole in the bracket. This is held into place once the arm is mounted to the bracket. Boom mounted arms do not require a duct flange.
3. Before installing the spring balancer, mate the flange of the fume arm to the support bracket or extension boom using the hardware provided (bolts, flat washers (1a), lock washers and nuts (1b)).

NOTE: The spring retainer bolt in FIG3 must be facing out and away from the fume arm to ensure easy removal.

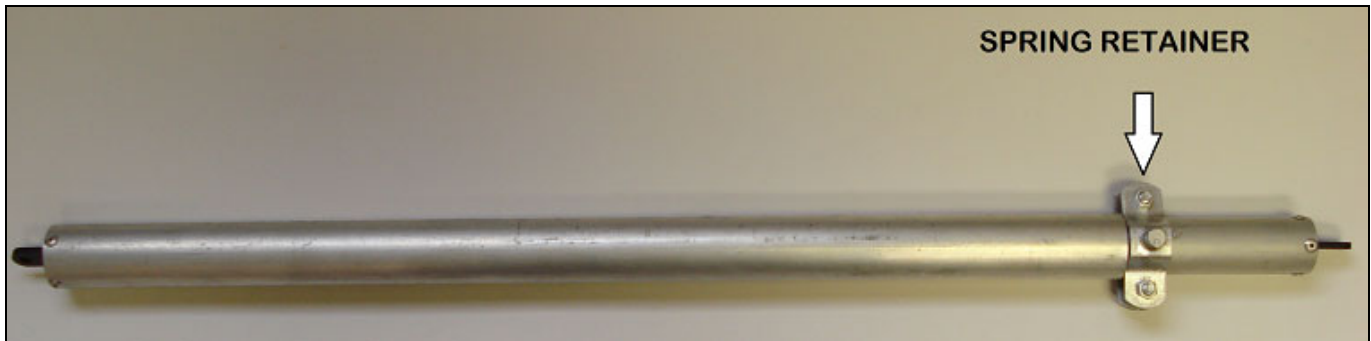


FIG3_-Spring_Balancer

4. To install the spring balancer, set the swivel joint (C) in FIG1 at 45 degrees and attach the eyelet of the spring balancer closest to the SPRING RETAINER to the SPRING MOUNTING BRACKET (8) located near joint (B) and the other eyelet to the SPRING MOUNTING BRACKET (8) at the ROTATING SWIVEL (1).

CAUTION: Do not remove the SPRING RETAINER without assistance. Two installers are required. One installer needs to prevent TUBE 2 from raising uncontrolled while the other releases the SPRING RETAINER.

- a. Gently pull down on TUBE2 until some resistance can be felt. While holding the arm in place, remove the center bolt from the top U-clamp of the SPRING RETRAINER.

NOTE: Save this bolt in the event the fume arm needs to be disassembled.

- b. Slowly release TUBE 2 and allow the arm to raise. If the arm does not raise, the joint tension will be adjusted in the proceeding steps.
5. Adjust the tension at the HOOD, MIDDLE & SWIVEL JOINTS of the fume arm evenly on both sides of each joint until the inlet hood can be moved to the desired locations with minimal effort and hold its required position.
 - a. Tension adjustment is performed by tightening or loosening the self-locking nuts at each joint. Reference FIG4.

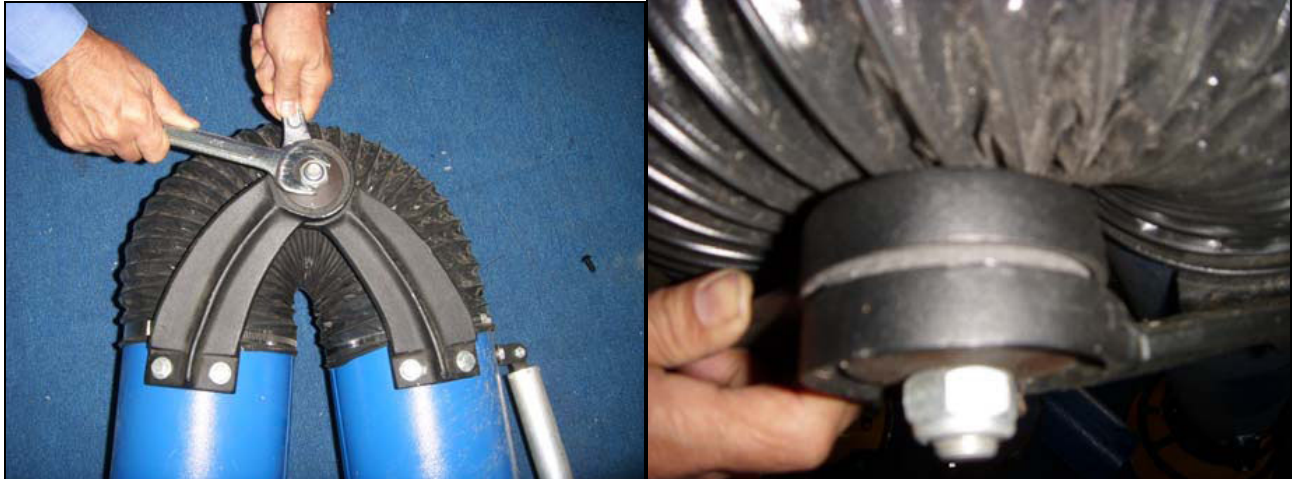


FIG4 - Swivel Joint Adjustment

6. Electrical Installation (if applicable).

a. Grounding the fume arm.

- i. Drill a grounding hole in the TUBES before and after each joint.
- ii. Insert grounding screw in each grounding hole.
- iii. Attach grounding wire on the exterior of the arm to each grounding bolt and run to other side of joint.

b. Light Kit.

- i. Attach the control box or transformer near the base of the fume arm.
- ii. Fasten the light/fan cord to the underside of arm with fastening straps or similar means.
- iii. Wire light kit cord to low voltage power.

OPERATION

WARNING: Do not expose the arm to excessive force. The arm should be adjusted so that minimal force is required to position the arm. Excessive force may cause damage to product or injury to personnel.

1. Positioning the fume arm:
 - a. Grasp the handle on the tube nearest the inlet hood and move the arm into the desired location. Do not move the arm using the inlet hood handle.
 - b. Position the inlet hood as close to the fume source as possible without obstructing work area. The hood is furnished with the handle/ring located around the entire fume hood.
 - c. Open any applicable air shut-off devices (i.e. blast gates, quadrant dampers, etc.).
 - d. Turn on the exhaust fan.
 - e. Perform required process.
 - f. When process producing fumes or particulate is complete, turn off the exhaust fan.
 - g. Close all air shut-offs.
 - h. Move the SIFA arm out of the work area if necessary.

MAINTENANCE

NOTE: The recommended maintenance intervals below are typical, adjust the maintenance frequency arm as required. Industrial applications associated with extremely high pollution loads will require higher maintenance intervals.

1. Weekly Maintenance:

- a. Inspection should be performed of the overall condition of the device including tension of the joints and the condition of the flexible hoses.
 - i. Replace any hoses showing excessive wear to ensure proper airflow.
 - ii. Adjust tension per installation instruction as needed. Arm joints must move smoothly and without obstruction.
 - iii. Keep the airflow free from any obstructions. Remove any debris inside the airstream of the arm.

2. Monthly Maintenance:

- a. Lubricate the rotating swivel with neutral to aluminum machine grease.

3. Annual Maintenance:

- a. Remove the flexible hoses and clean the inside the flexible hoses, tubes swivel and inlet hood using warm water.



11975 Portland Ave S, Suite 104

Burnsville, MN 55337

Phone: (952) 894-6637

Email: info@ventaire.com

12-MONTH WARRANTY

VENTAIRE warrants their products, to the original purchaser, to be free from defects in material and workmanship under normal use and service (except for those cases which buyer supplied materials are used) for a period of 12 months from the original date of shipment. During the warranty period, **VENTAIRE**, will at its option, repair, replace, or issue credit for any components that are deemed defective by **VENTAIRE**.

Buyer's failure to pay the full amount due within (60) days of invoice shall release seller from any and all liability or obligation to any warranty.

Before returning equipment for repair or replacement, a **Return Authorization Number** must be obtained from **VENTAIRE** (952-894-6637). The **Return Authorization Number** must be written on the outside of all shipping cartons. Items returned without a **Return Authorization Number** will be refused. Items returned should be in original condition in which it was received and must be accompanied with a written explanation of the reason(s) for their return.

This warranty does **not** cover damage caused by accident, misuse, misapplication, or unauthorized service modification.