



**11975 Portland Ave. S., Suite 104
Burnsville, MN 55337**

Phone: 952-894-6637

Fax: 952-894-0750

Email: info@ventaire.com

Website: www.ventaire.com

PRODUCT GUIDE FOR

Underfloor Single
Nondisappearing
System

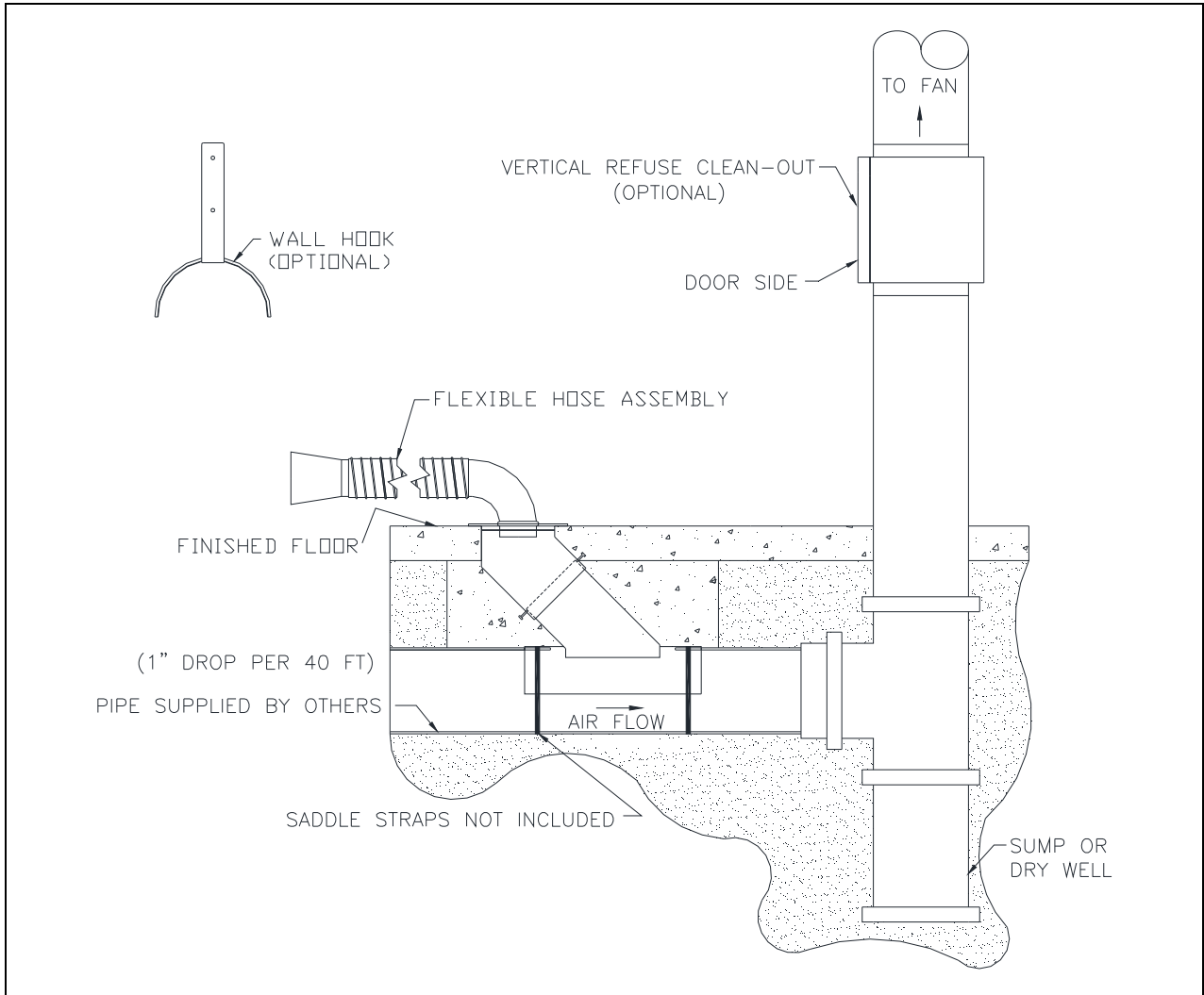


FIG 1

INTRODUCTION

1. Prior to installation inspect the all the components received for shipping damage. If damage occurred contact your Ventaire representative for assistance.
2. Read **ALL** the instructions before proceeding with any installation, operation, or maintenance.

INSTALLATION

1. Dig the trench depth between a minimum depth of 14-17" (See FIG 2).
2. Install the pipe in the ground according to industry standards. The pipe should be pitched at least 1" for every 40' of pipe towards the fan and sump pump or dry well. The sump pump or dry well should be installed at the low end of the pipe.

3. Cut a hole in the pipe matching the opening on the saddle adapter. Consult the building plans for the exact hole location. Please note that there is an offset from where the hole is cut in the pipe and where the floor fixture door will be positioned on the finished floor.
4. Apply duct sealant around the opening. Center the saddle over the opening and fasten it to the pipe using saddle straps or other suited hardware. Be certain that all the saddles are inclined in the proper direction to ensure proper airflow (See FIG 1).
5. PVC tape is applied to the saddle where the round tube meets the curved plate so that the saddle can accommodate any size pipe. If the seal has been broken, sealant may be applied to ensure that the concrete does not enter the exhaust system.
6. Backfill around the pipe but leave the saddle area exposed. This area will be filled with concrete.
7. Place the boot and door assembly over the saddle adapter. Set the fixture to the proper height and position it using wooden stakes for support. Height adjustment screws (squash nuts) are included; tighten them securely at this time.

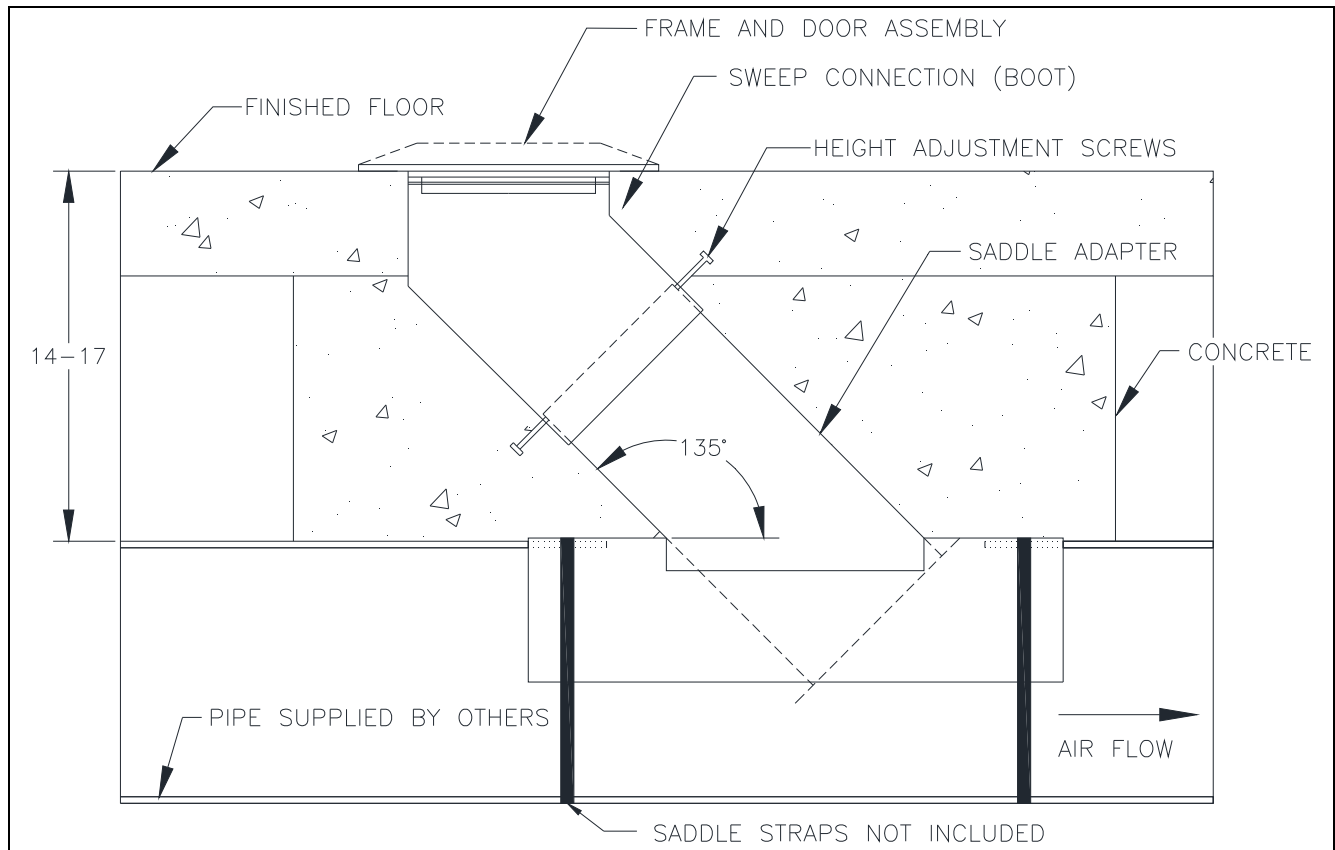


FIG 2

8. To ensure no concrete enters the system, apply duct sealant or expandable foam to any apparent gaps between the saddle and the boot.
9. Pour the floor making certain that the area around the saddle and fixture is completely filled in.
10. Assemble the nondisappearing hose assembly as depicted in FIG 3.

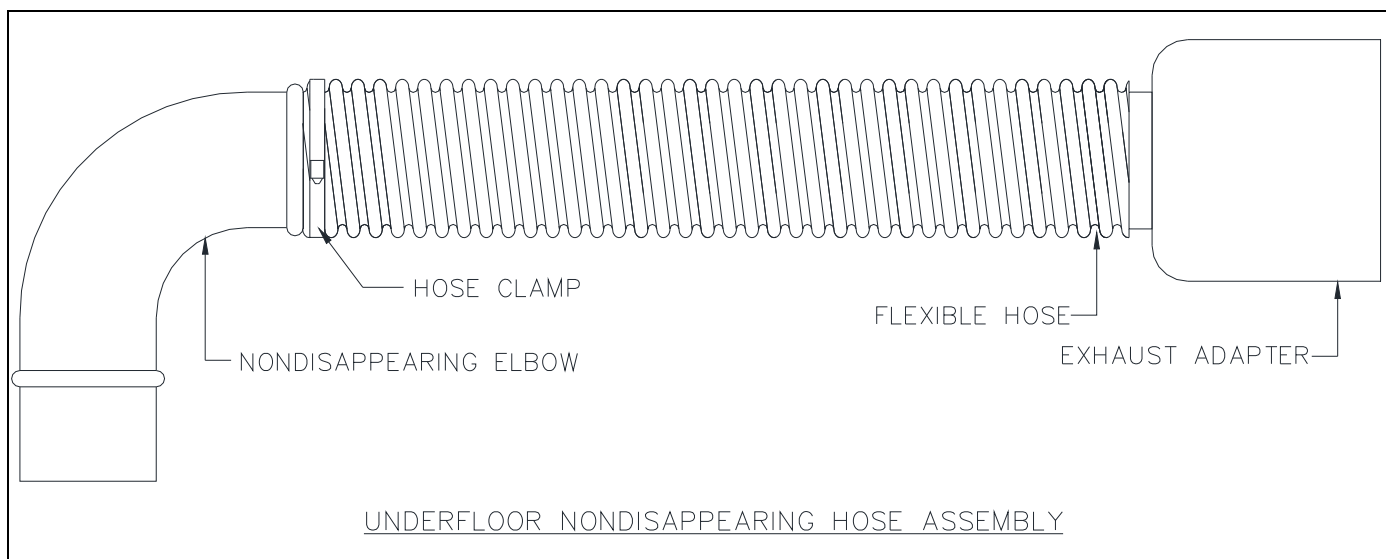


FIG 3

11. Fasten the nondisappearing elbow to flexible hose using the provided hose clamp. To ensure a rigid connection is established, drill and rivet the connections through the hose clamps.
12. Fasten the exhaust adapter to the other end of the flexible hose using the provided hose clamp. To ensure a rigid connection is established, drill and rivet the connections through the hose clamps. See FIG 3.
13. Insert the nondisappearing elbow into the floor fixture to assure proper fit.

For systems supplied with an optional VRCO (Vertical Refuse Clean-Out)

1. Determine an accessible location for VRCO.
2. Cut the duct from the floor to the desired height.
3. Connect the duct from the floor to the bottom of the VRCO using appropriate fasteners. (Not Included)
4. Connect the duct from the top of the VRCO to the fan using the appropriate fasteners. (Not Included)
5. Turn on the fan to test for leaks.

For systems supplied with an optional WHK (Wall Storage Hook)

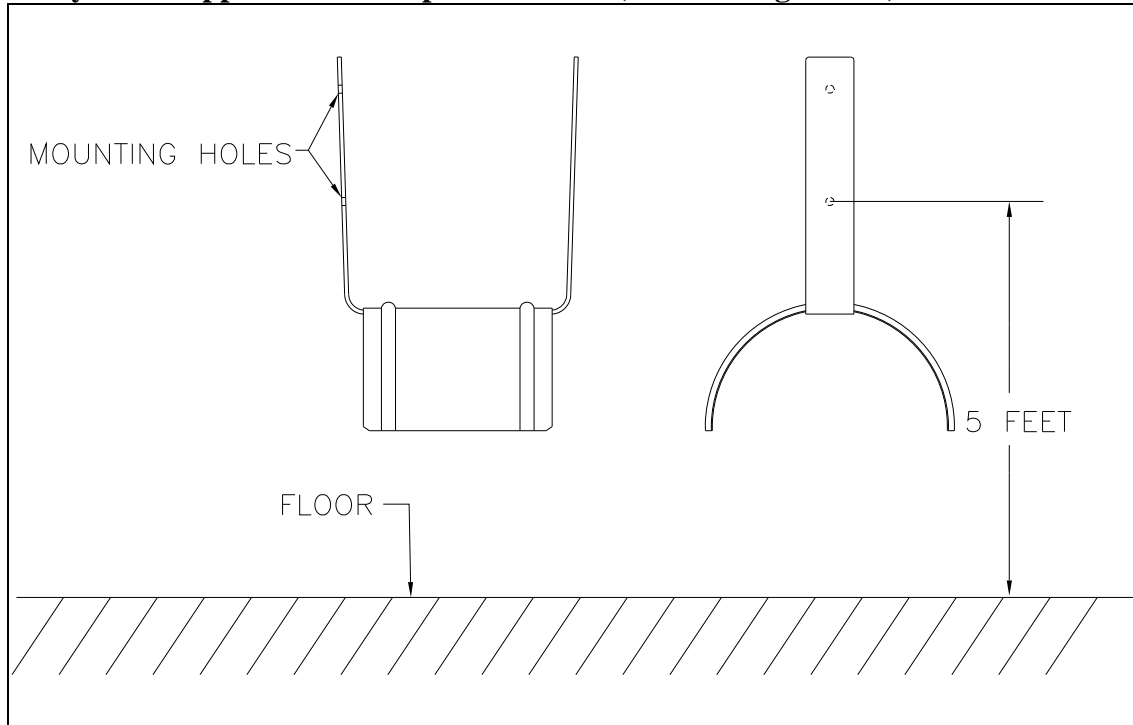


FIG 4

1. Determine the location for the wall hook that allows room for the hose assembly.
2. The wall hook should be mounted approximately 5 feet from the floor to the bottom mounting hole.
3. Fasten the wall hook to the desired rigid structure using appropriate fasteners. (Not Included)
4. Store the hose assembly on the hook when the hose is not in use.

OPERATION

1. When not in use, the hose assembly should be stored on the supplied wall hooks or appropriate alternative storage location and the floor fixture door closed.
2. To use the system, open the floor fixture door and insert the flexible hose assemblies 90 deg elbow into receptor.
3. Always use care when withdrawing and inserting the flexible hose set to avoid damaging the hose set and the connections.
4. Attach the exhaust adapter to the vehicle exhaust tailpipe.
5. Turn on the exhaust fan.
6. The system is now ready to handle vehicle exhaust, proceed with vehicle maintenance.

When finished simply:

1. Turn off the exhaust fan.
2. Remove the exhaust adapter from the exhaust pipe and the elbow from floor fixture. Return the hose assembly to its storage location and close the floor fixture door.

NOTE: If your system was supplied with fabric flexible hose that is supported with a spring steel helix. It will not retain the proper shape if crushed. Care must be taken not to step on or drive over flexible hose.

MAINTENANCE

1. Routinely check the exhaust hose for signs of excessive wear. Replace if necessary.
2. Periodically check all the connections between the hose, elbow, and adapter. Adjust if necessary.
3. Periodically check the floor fixture opening and hinges to ensure proper working order is maintained. Also, keep the floor fixture free from any obstructions. Clean out or adjust as necessary.
4. Exhaust fan maintenance: See the instructions provided by the manufacturer.



Phone: (952) 894-6637

Fax: (952) 894-0750

Email: info@ventaire.com

12-MONTH WARRANTY

VENTAIRE warrants their products, to the original purchaser, to be free from defects in material and workmanship under normal use and service (except for those cases which buyer supplied materials are used) for a period of 12 months from the original date of shipment. During the warranty period, **VENTAIRE**, will at its option, repair, replace, or issue credit for any components that are deemed defective by **VENTAIRE**.

Buyer's failure to pay the full amount due within (60) days of invoice shall release seller from any and all liability or obligation to any warranty.

Before returning equipment for repair or replacement, a **Return Authorization Number** must be obtained from **VENTAIRE** (952-894-6637). The **Return Authorization Number** must be written on the outside of all shipping cartons. Items returned without a **Return Authorization Number** will be refused. Items returned should be in original condition in which it was received and must be accompanied with a written explanation of the reason(s) for their return.

This warranty does **not** cover damage caused by accident, misuse, misapplication, or unauthorized service modification.