



**11975 Portland Ave. S. Suite 104  
Burnsville, MN 55337**

**Phone: 952-894-6637**

**Email: [info@ventaire.com](mailto:info@ventaire.com)**

**Website: [www.ventaire.com](http://www.ventaire.com)**



## **PRODUCT GUIDE FOR TMHR30-60 – Motorized Hose Reel**

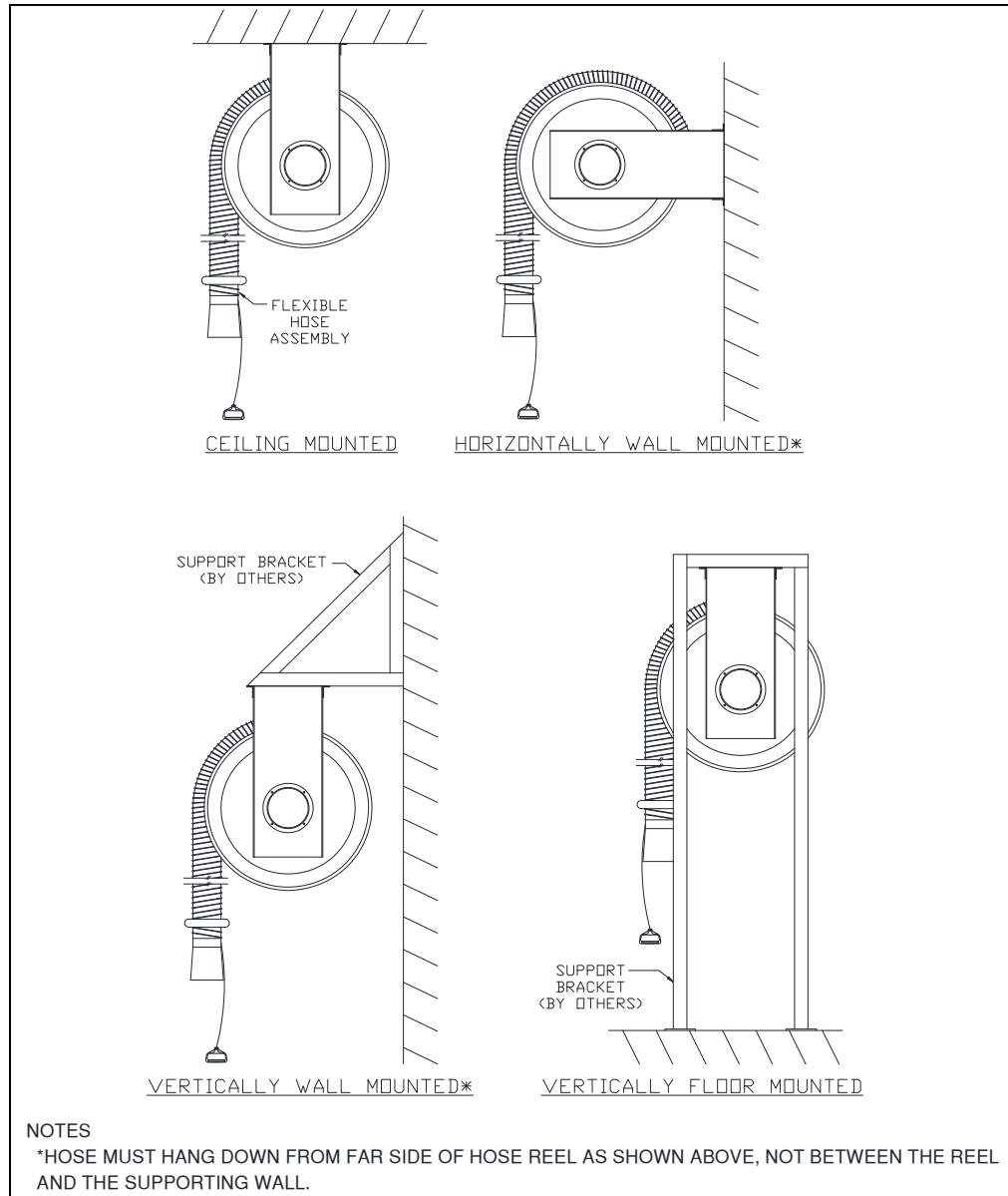
## TABLE OF CONTENTS

Introduction.....	3
Installation.....	3-6
Operation.....	6
Maintenance.....	7
Typical Wiring Diagrams.....	8-9
Troubleshooting.....	10
Warranty.....	11

## INTRODUCTION

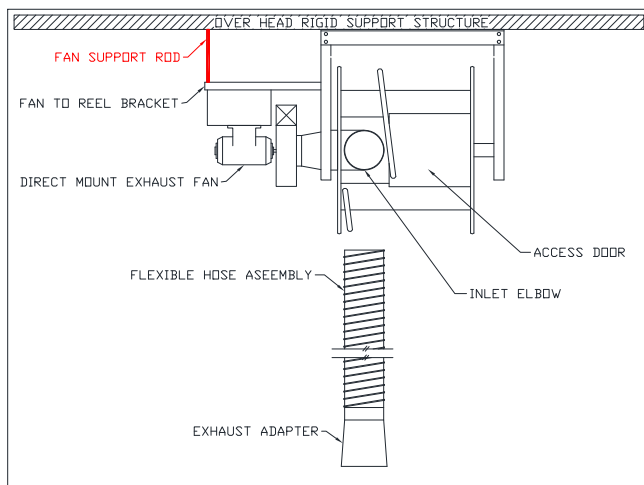
1. Prior to the installation inspect all components received for shipping damage. If damage occurred, contact your Ventaire representative for assistance.
2. Read **ALL** the instructions before proceeding with any installation, operation, or maintenance.

## INSTALLATION

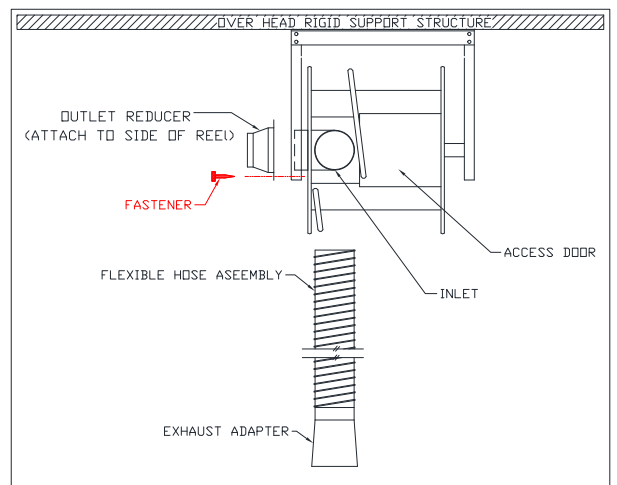


**FIG1-OPTIONAL MOUNTING CONFIGURATIONS**

1. Several mounting options are possible (See FIG1). Regardless of which orientation, the axis of the hose reel drum must be parallel to floor. Ceiling mounted configuration is mandatory for hose reels with direct mounted exhaust fans (See FIG2). Contact factory for wall mounted reels with integral exhaust fan.



**FIG2A-REEL WITH INTEGRAL FAN**



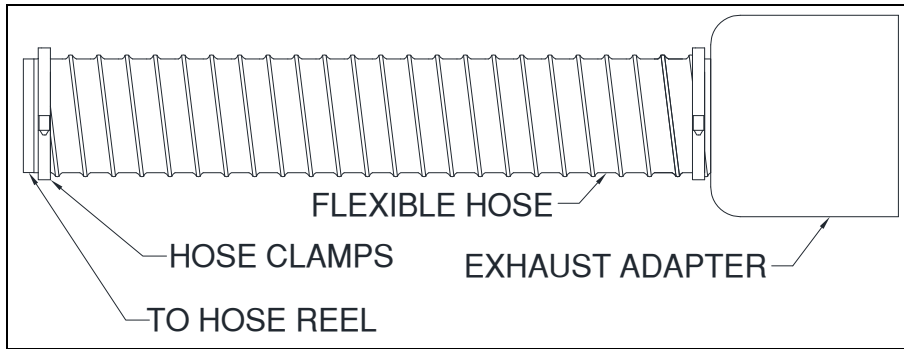
**FIG2B-REEL DUCTED TO REMOTE FAN**

2. The hose reel is supplied with a temporary shipping bolt located near the limit switch on the hose reel's motor. This bolt should not be removed until the reel is rigidly mounted and must be removed before powering reel.
3. Raise the hose reel & fan (if applicable) with a lifting mechanism (forklift, crane, etc.) and mount to a rigid structure at desired location. Ensure the hose reel system will not interfere with any other equipment while in use. Use 1/2" bolts/rods through the holes in the corners of the hose reel base.
4. Ensure rectangular support brackets are perpendicular to top L-brackets. A reel that is out of square will not rotate properly.
5. For hose reel with direct mounted fan, an additional support is required to support the fan. Run a 1/2" bolt/rod (not provided) down from overhead structure to the hole at the end of the rectangular steel fan bracket. Secure with locking fasteners. Reference FIG2A.
6. For hose reel ducted to remote fan, fasten the provided outlet reducer to the reel through the flange/tabs. Reference FIG2B.

***CAUTION: Do not drill through the axle pipe when mounting reducer flange. This will restrict the hose movement and may cause permanent damage to the hose reel.***

7. Connect the rigid duct to the reel outlet or fan outlet using industry standard methods.
8. Remove the shipping bolt connecting the hose reel drum flange to the rectangular support bracket.
9. Remove the hose reel control box & remote push button station covers. Wire the supply power to the hose reel and perform wiring between the hose reel and push button control station according to the included wiring schematic.
10. Test the up and down buttons to ensure the proper installation and wiring has been performed. Adjustments to the limit switches will be performed after the hose is attached to the reel.

### Flexible Hose Assembly

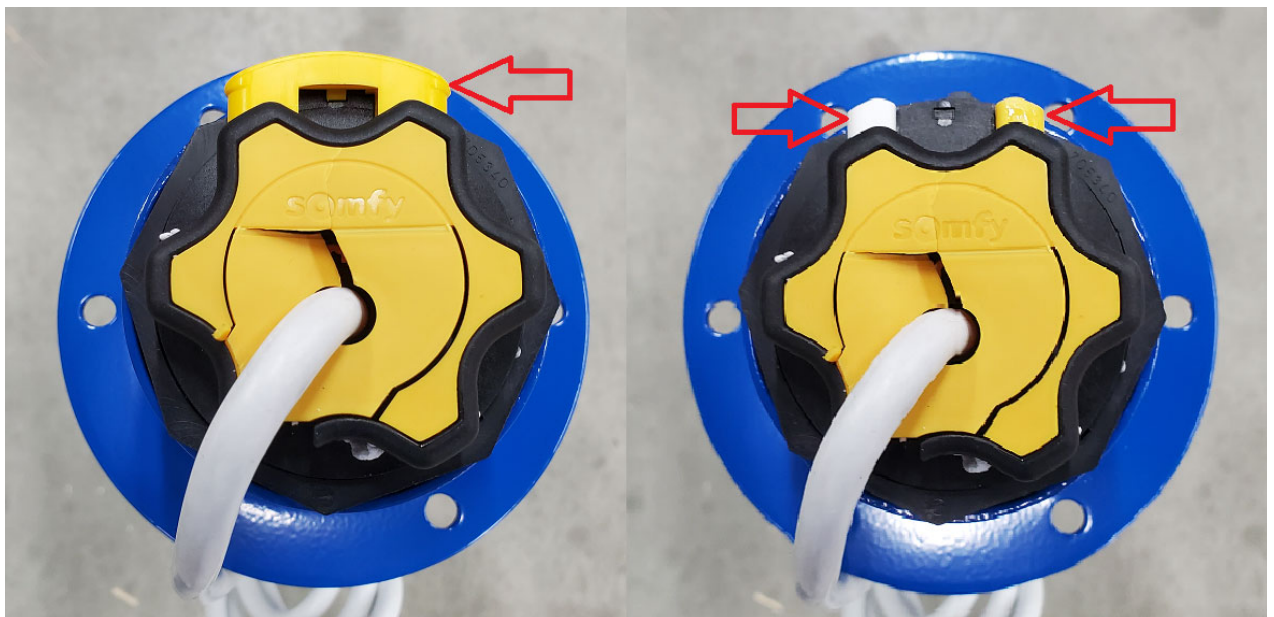


**FIG3 – HOSE ASSEMBLY**

11. Fasten the exhaust adapter to the end of the flexible hose using the provided hose clamp as shown in FIG3. To ensure a rigid connection is established, drill and rivet the connections through the hose clamps.
12. Attach the flexible hose to inlet elbow using the hose clamps provided. To ensure a rigid connection is established, drill and rivet the connection to the inlet elbow through the hose clamp.

### Limit Switch Adjustment

13. The limit switches are factory adjusted, but may require fine tuning to ensure that the reels function correctly. The limit buttons are located at the exposed end of the motor located between the round drum end and rectangular hose reel support bracket. Remove the yellow button cover to access the white (DOWN) and yellow (UP) limit set buttons. The limit switches are easily adjusted. Adjustment is performed by depressing the button and activating the reel. When the hose is at the desired height, release the button and the limit is set. Perform this for both directions. As a rule of thumb, a reel with 6” dia x 25’ of hose will need to rotate approximately 3-1/4 turns.



**FIG 4 – MOTOR HEAD/LIMIT ADJUSTMENT BUTTONS**

14. Check several times to make sure that the limits are working. If not, repeat the above limit setting procedures. If problems are still present, stop, discontinue use and contact the representative.

### **ELECTRICAL CONNECTIONS (For Optional Direct Mount Fan):**

15. Before connecting the motor to the electric supply, check the electrical characteristics as indicated on motor nameplate to ensure proper voltage and phase. Remember that a single-phase motor is connected only to a single-phase voltage supply (three phase, three phase supply).

***CAUTION: A ground wire must be run from the blower motor housing to a suitable electrical ground such as a properly grounded metallic raceway or a ground wire system.***

16. Inspect for damage resulting from shipment. Also, the entire fan must be completely dry prior to performing any electrical work.
17. . It is recommended that in every motor connection, an overload device be installed between the current supply and the motor to protect the motor from under-voltage conditions and motor overloads.
18. Follow the wiring schematic located on the motor of the fan for specific wiring instructions.
19. After the electrical connections are completed, apply just enough power to start the unit. Be sure that the rotation of the wheel is correct as indicated by the directional arrows on the unit. Rewire until the correct rotation has been achieved.
20. Apply full electrical power. With the air system in full operation and all ducts attached, measure the current input to the motor and compare with the nameplate rating to determine if the motor is operating under safe load conditions.

### **OPERATION**

***CAUTION: Do not allow too much flexible hose to roll onto the hose reel. This may cause damage to the hose reel, flexible hose, and/or the exhaust adapter.***

Complete operation of the motorized hose reel can be accomplished in a few easy steps. Please see the Installation instructions for complete installation and limit adjustment instructions.

1. Press the DOWN button to unroll the hose far enough so the exhaust adapter can be attached to the exhaust pipe of the vehicle.
2. Once the exhaust adapter is connected to the exhaust pipe, open any applicable air shut-off devices and turn on the exhaust fan.

When finished simply:

3. Disconnect the exhaust adapter from the vehicle and press the UP button to roll up the hose onto the reel.

## MAINTENANCE

Maintenance is very routine and uncomplicated. Follow the steps below to ensure a unit that is both effective and efficient.

1. Routinely check the flexible hose and connections for excessive wear to ensure proper airflow. Replace if necessary.
2. Routinely check the hose reel mount (to the rigid duct and the ceiling) to provide safe operation. Tighten loose connections if necessary.
3. Follow the exhaust fan maintenance instructions provided by the manufacturers.
4. Adjust motor limit switches as needed per installation instructions.

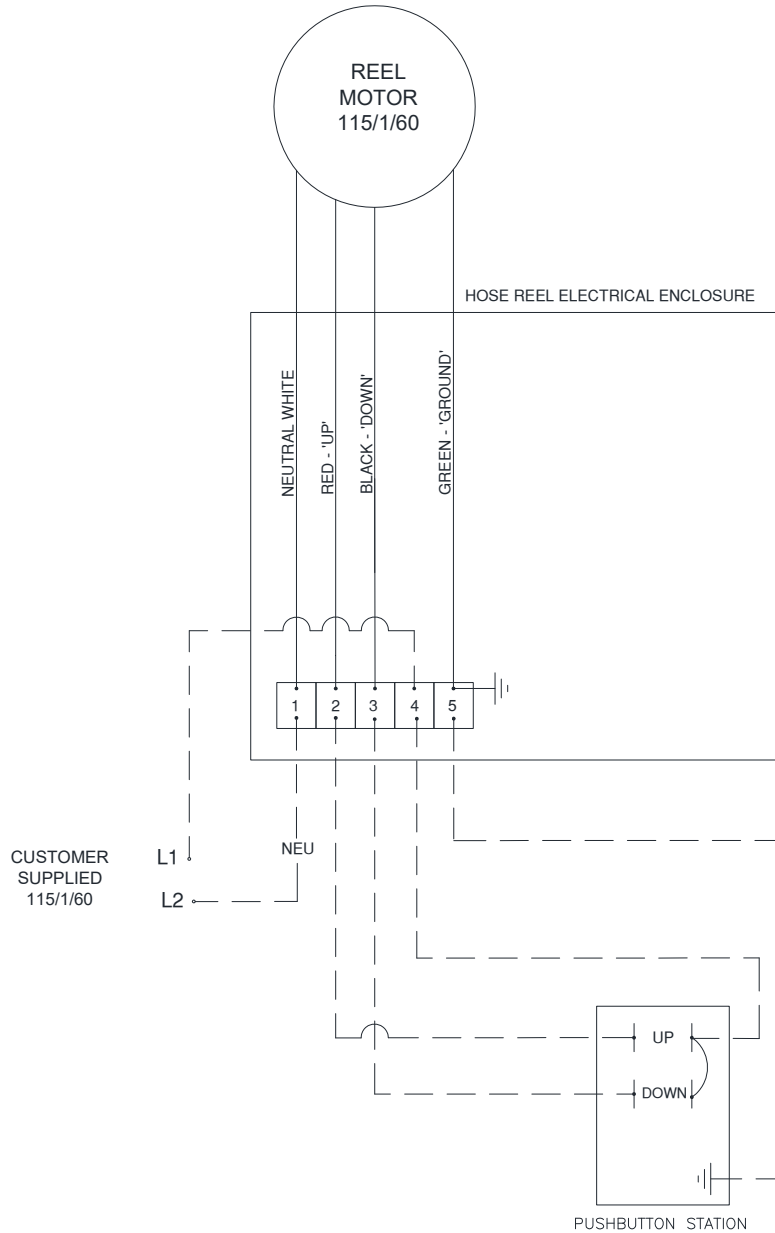


# WIRING SCHEMATIC

**TMHR - HOSE REEL WITH  
2 BUTTON CONTROL FOR  
115/1/60 REEL MOTOR**

PROJECT:

LOCATION:	ENGINEER:	SALES ENGINEER:
ARCHITECT:	CONTRACTOR:	DATE:



- NOTES:
1. HOSE REEL MOTOR IS PREWIRED TO THE TERMINALS IN THE ELECTRICAL ENCLOSURE.
  2. DASHED LINES ARE CONNECTIONS TO BE PERFORMED BY THE INSTALLER.
  3. WHEN A PENDANT STATION IS SUPPLIED, WIRING IS PERFORMED AT THE FACTORY.

REV:220711

X-X

WIRE-TMHR-2B.DWG





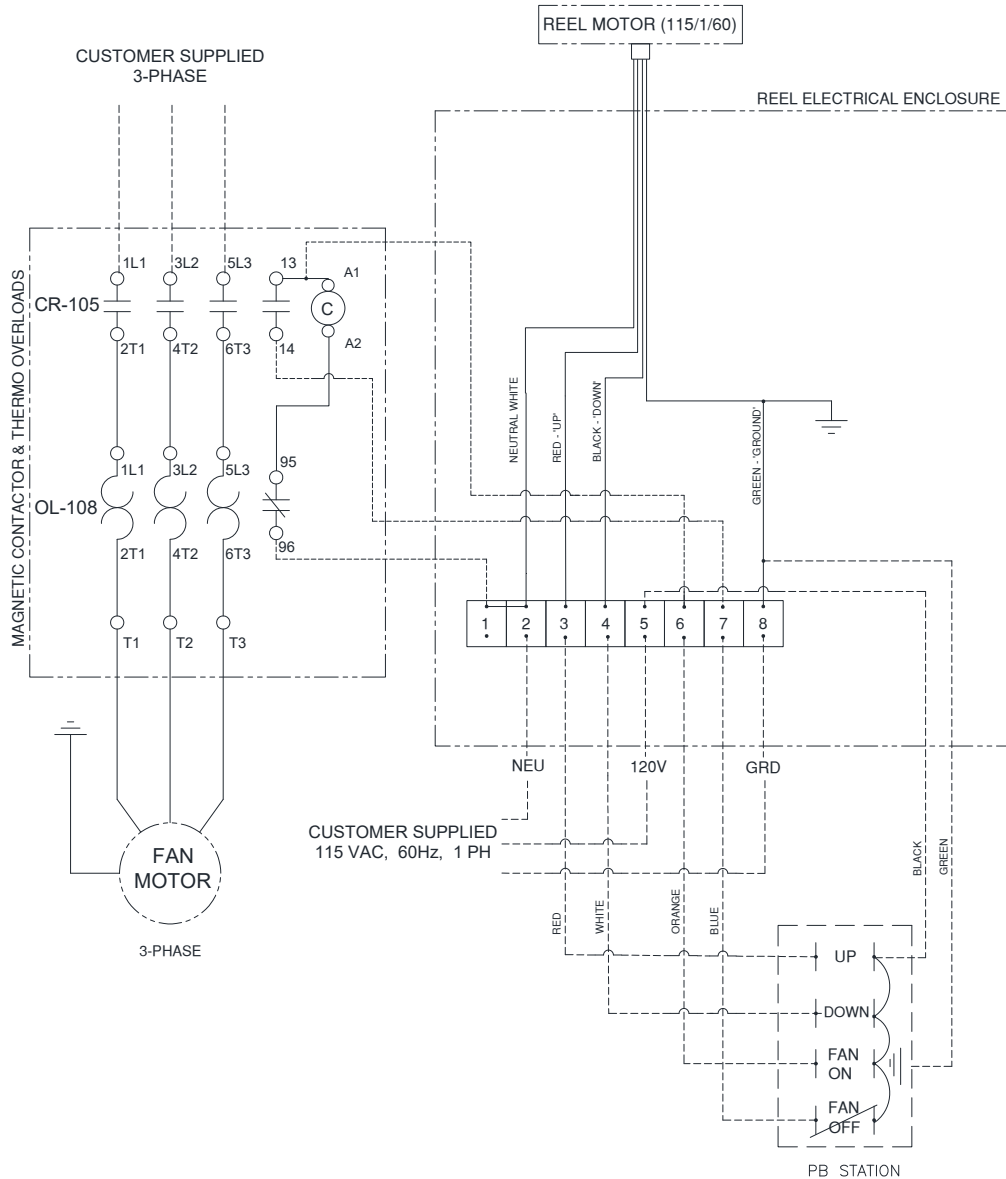
# WIRING SCHEMATIC

**TMHR - HOSE REEL WITH FOUR  
BUTTON CONTROL FOR 115/1/60  
REEL AND MAGNETIC FAN  
STARTER WITH HOLDING CIRCUIT**

PROJECT:

LOCATION:	ENGINEER:	SALES ENGINEER:
ARCHITECT:	CONTRACTOR:	DATE:

CR: CONTROL RELAY  
OL: OVERLOAD  
C: MAGNETIC COIL



- NOTES:
1. OVERLOAD RELAY MUST BE SET TO FLA FROM MOTOR PLATE.
  2. REEL MOTOR IS PREWIRED TO THE TERMINALS IN REEL ENCLOSURE.
  3. DASHED LINES ARE CONNECTIONS TO BE PERFORMED BY THE INSTALLER.
  4. WHEN PENDANT PROVIDED, WIRING FROM PENDANT TO REEL ENCLOSURE IS PERFORMED AT THE FACTORY.

## **TROUBLESHOOTING**

<b>Symptom</b>	<b>Possible Cause</b>	<b>Action</b>
Hose reel will not rotate in one or both directions	Fastener(s) attaching rigid duct to hose reel outlet installed incorrectly.	Reference installation instruction #6 of this guide to verify fastener(s) are installed correctly. If the fasteners were installed improperly and preventing reel from rotating, contact Ventaire.
	No power to hose reel	Reference the included wiring diagram. Verify power is at hose reel, hose reel control station & to switched terminals when buttons on remote control are depressed. If power is reaching switched terminals, proceed to next step.
	Reel limit switches out of adjustment	Reference limit switch adjustment procedure located in the installation instruction section of this product guide. If procedure in product guide does not fix the issue, contact Ventaire.



Phone: (952) 894-6637  
Email: [info@ventaire.com](mailto:info@ventaire.com)

## 12-MONTH WARRANTY

---

**VENTAIRE** warrants their products, to the original purchaser, to be free from defects in material and workmanship under normal use and service (except for those cases which buyer supplied materials are used) for a period of 12 months from the original date of shipment. During the warranty period, **VENTAIRE**, will at its option, repair, replace, or issue credit for any components that are deemed defective by **VENTAIRE**.

Buyer's failure to pay the full amount due within (60) days of invoice shall release seller from any and all liability or obligation to any warranty.

Before returning equipment for repair or replacement, a **Return Authorization Number** must be obtained from **VENTAIRE** (952-894-6637). The **Return Authorization Number** must be written on the outside of all shipping cartons. Items returned without a **Return Authorization Number** will be refused. Items returned should be in original condition in which it was received and must be accompanied with a written explanation of the reason(s) for their return.

This warranty does **not** cover damage caused by accident, misuse, misapplication, or unauthorized service modification.