



**11975 Portland Ave. S., Suite 104
Burnsville, MN 55337**

Phone: 952-894-6637

Fax: 952-894-0750

Email: info@ventaire.com

Website: www.ventaire.com

PRODUCT GUIDE FOR

MFA – Miniature Fume Arms

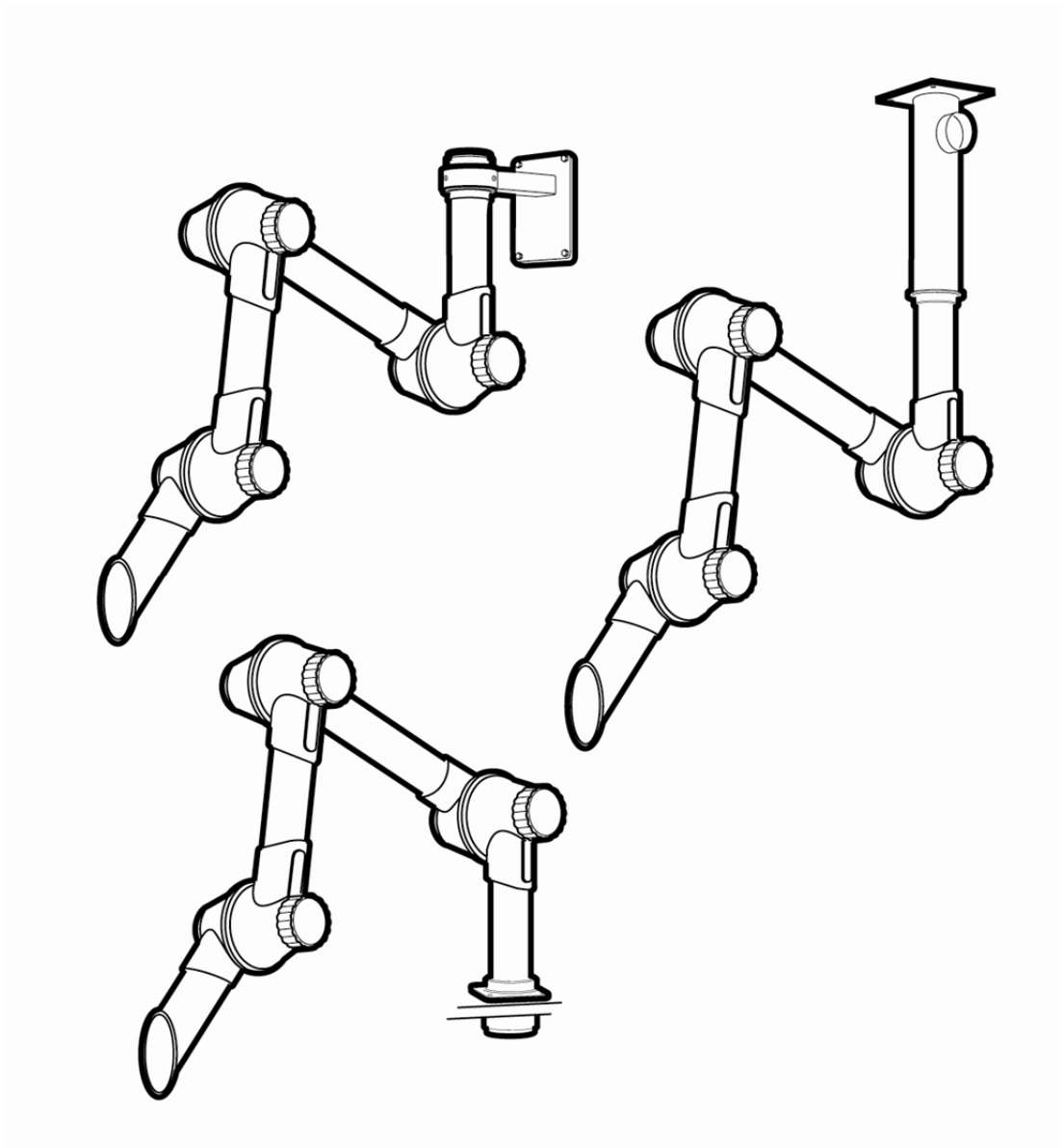
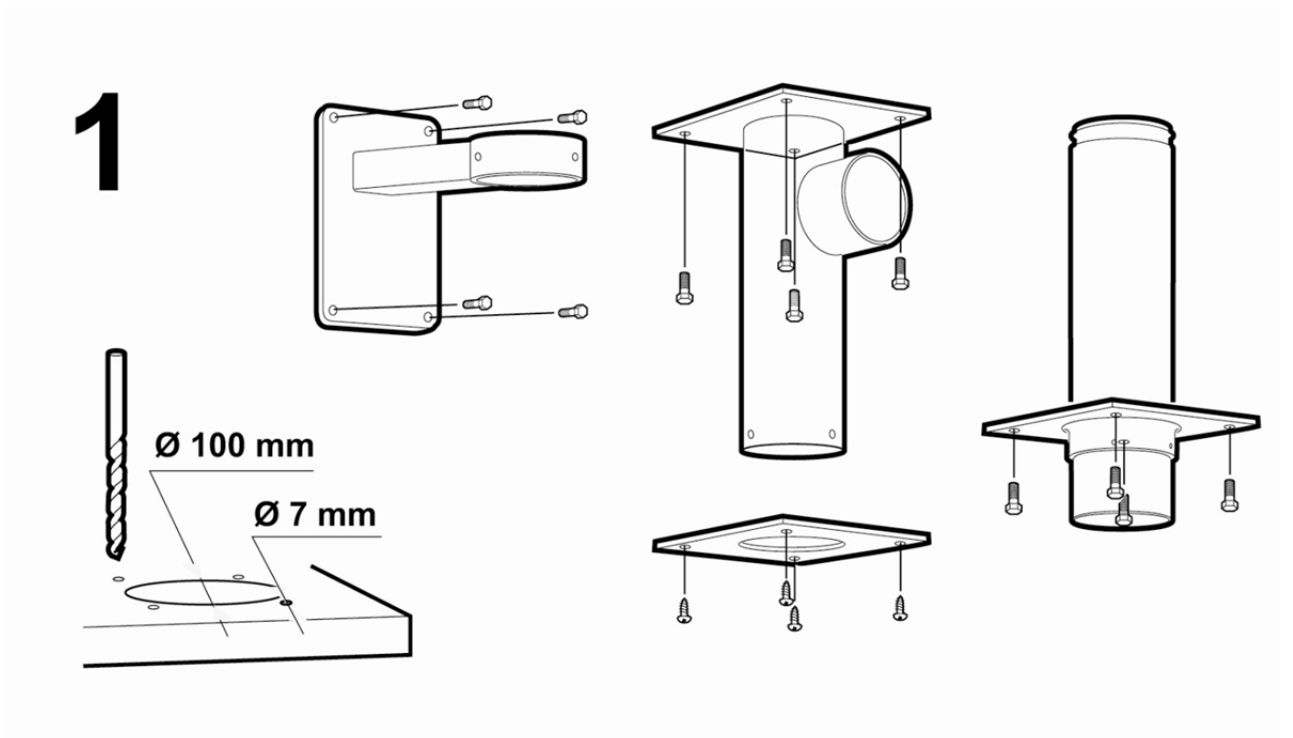


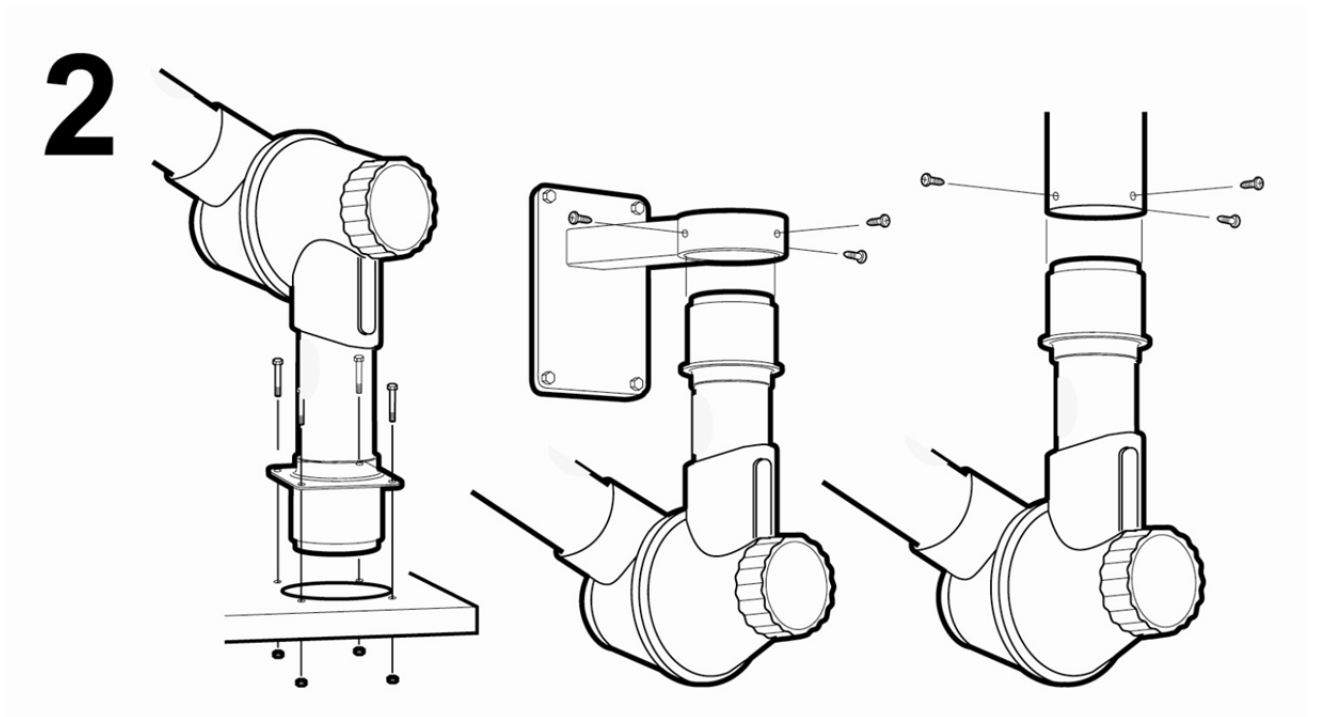
FIG 1

INTRODUCTION

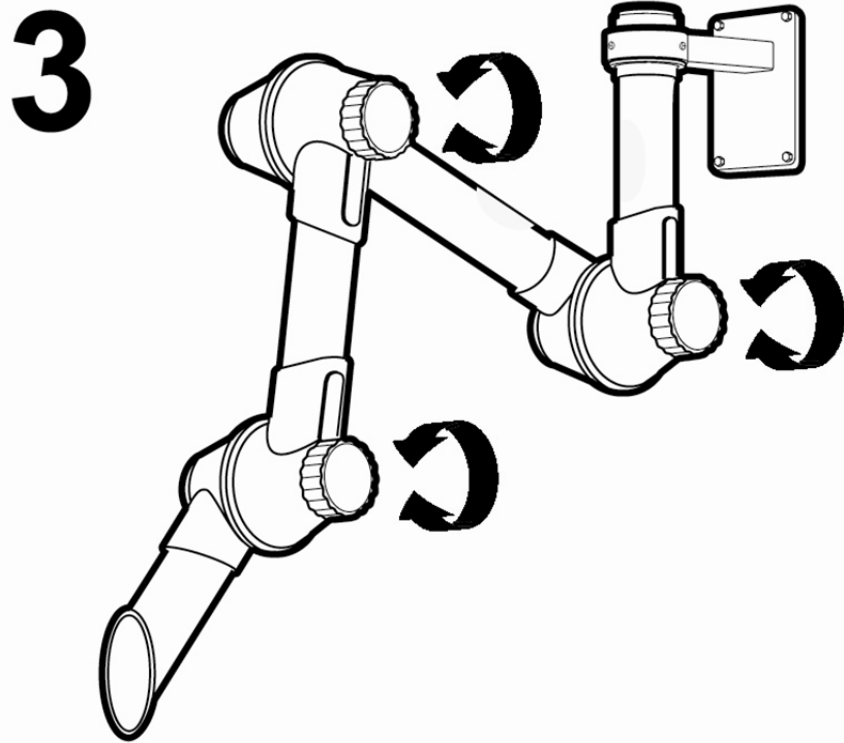
1. Prior to installation inspect all components received for shipping damage. If damage occurred contact your Ventaire, Inc. representative for assistance.
2. Review ALL the instructions before proceeding with any installation, operation, or maintenance.



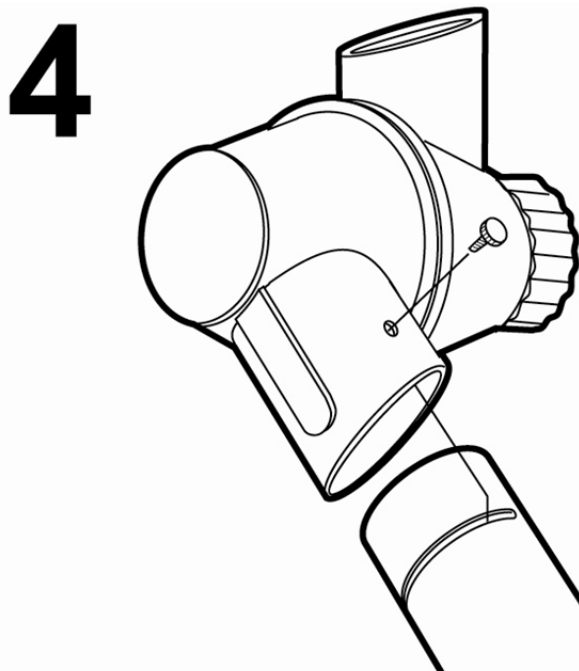
1.) Install mounting brackets. Table mounting: Drill holes.



2.) Fit the arm to bracket. Table mounting: Fit arm in hole.



3.) Adjust the tension in the plastic joints. Check that the adjusting knobs are placed to the right.



4.) Fit any accessory.



Phone: (952) 894-6637
Fax: (952) 894-0750
Email: info@ventaire.com

12-MONTH WARRANTY

VENTAIRE warrants their products, to the original purchaser, to be free from defects in material and workmanship under normal use and service (except for those cases which buyer supplied materials are used) for a period of 12 months from the original date of shipment. During the warranty period, **VENTAIRE**, will at its option, repair, replace, or issue credit for any components that are deemed defective by **VENTAIRE**.

Buyer's failure to pay the full amount due within (60) days of invoice shall release seller from any and all liability or obligation to any warranty.

Before returning equipment for repair or replacement, a **Return Authorization Number** must be obtained from **VENTAIRE** (952-894-6637.) The **Return Authorization Number** must be written on the outside of all shipping cartons. Items returned without a **Return Authorization Number** will be refused. Items returned should be in original condition in which it was received and must be accompanied with a written explanation of the reason(s) for their return.

This warranty does **not** cover damage caused by accident, misuse, misapplication, or unauthorized service modification.